

3 RESIDENTIAL DISTRICTS

NEIGHBORHOOD RESIDENCE
URBAN RESIDENCE



3 RESIDENTIAL DISTRICTS

3.1 NEIGHBORHOOD RESIDENCE (NR)	35
Character Description	35
Intent	36
Purpose	36
Applicability	36
Development Review	36
Building Types	36
Building Components	61
Building Design Standards	68
Architectural Design Guidelines	69
Use Provisions	70
Development Standards	71
Parking & Mobility	72
Public Realm	73
3.2 URBAN RESIDENCE (UR)	75
Character Description	75
Intent	76
Purpose	76
Applicability	76
Development Review	76
Building Types	76
Building Components	97
Building Design Standards	103
Architectural Design Guidelines	103
Use Provisions	104
Development Standards	105
Parking & Mobility	106
Public Realm	107

3.1 NEIGHBORHOOD RESIDENCE (NR)

1. Character Description

The Neighborhood Residence district is characterized by a variety of small and moderate FLOOR PLATE, one-, two-, and three-unit PRINCIPAL_BUILDINGS with minimal front and side SETBACKS to help prioritize rear yard space. The district is almost entirely residential, with occasional neighborhood stores, schools, places of worship, and arts related uses and on advantageous SITES.



3. RESIDENTIAL DISTRICTS

Neighborhood Residence (NR)

2. Intent

- a. To implement the objectives of the COMPREHENSIVE PLAN of the City of Somerville.
- b. To conserve already established areas of detached and semi-detached residential buildings.

3. Purpose

- a. To permit the DEVELOPMENT of one-, two-, and three-unit detached and semi-detached residential buildings on individual LOTS.
- b. To permit contextual MODIFICATIONS to existing detached and semi-detached residential buildings.
- c. To permit the adaptive REUSE of certain existing nonconforming buildings for arts & creative enterprise and retail USES compatible with residential areas.
- d. To create DWELLING UNIT types, sizes, and BEDROOM counts ideal for larger households in houses, semi-attached houses, duplexes, and triple DECKERS.
- e. To create DWELLING UNIT types, sizes, and bedroom counts ideal for smaller households in cottages and backyard cottages.

4. Applicability

- a. The section is applicable to all real property within the Neighborhood Residence district as shown on the maps of the Official Zoning Atlas of the City of Somerville.

5. Development Review

- a. DEVELOPMENT review is subject to the provisions of Article 15: Administration of this Ordinance.
- b. All DEVELOPMENT, excluding NORMAL MAINTENANCE, requires the submittal of a development review application to the BUILDING OFFICIAL and the issuance of a Certificate of Zoning Compliance prior to the issuance of a BUILDING Permit or Certificate of Occupancy.
- c. Proposed DEVELOPMENT may or may not necessitate the need for Subdivision Plan Approval, Site Plan Approval, a Special Permit, or a Hardship Variance based on the nature of the proposal. In such cases, additional DEVELOPMENT review is required in accordance with Article 15: Administration.
 - i. The Zoning Board of Appeals is the decision making authority for all DEVELOPMENT that requires Site Plan Approval, a Special Permit, or a Hardship Variance in the Neighborhood Residence district.
- d. Upon verification that no additional DEVELOPMENT review is necessary, or completion of the required DEVELOPMENT review, the BUILDING OFFICIAL shall issue a Zoning Compliance Certificate to certify compliance with the provisions and procedures of this Ordinance.

6. Building Types

- a. One (1) PRINCIPAL BUILDING TYPE and one (1) ACCESSORY BUILDING TYPE are permitted on each LOT.
- b. Unless otherwise specified, the following PRINCIPAL BUILDING TYPES are permitted in the Neighborhood Residence district:
 - i. Cottage
 - ii. Detached House
 - iii. Semi-Detached House
 - iv. Duplex
 - v. Detached Triple DECKER
- c. The detached triple DECKER BUILDING TYPE is permitted only on a compliant LOT that is either ABUTTING at the side or directly OPPOSITE on any THOROUGHFARE from a LOT with an existing triple DECKER BUILDING TYPE.
- d. The following ACCESSORY BUILDING TYPES are permitted by Site Plan Approval in the Neighborhood Residence district:
 - i. Backyard Cottage
- e. ACCESSORY STRUCTURES are regulated according to Article 10: DEVELOPMENT Standards of this Ordinance.

3. RESIDENTIAL DISTRICTS

Neighborhood Residence (NR)

3.1.7 Cottage

A small FLOOR PLATE, detached, PRINCIPAL BUILDING TYPE with one (1) DWELLING UNIT. The cottage is the smallest type of detached PRINCIPAL BUILDING in Somerville. Two variants exist, one with a half-STORY under pitched roof and another with a full height second STORY and a shallow pitched roof or a FLAT ROOF.

The following images are examples from Somerville of the cottage BUILDING TYPE and are intended only for illustrative purposes.

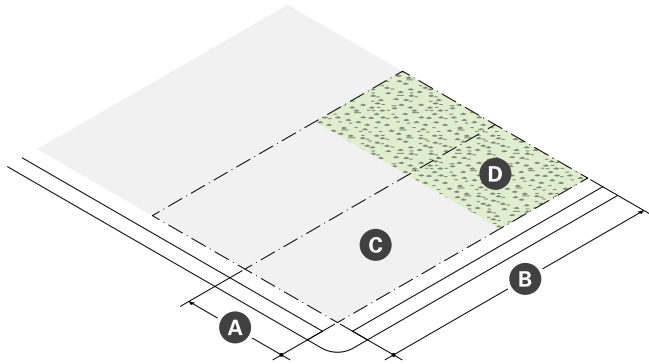


3. RESIDENTIAL DISTRICTS

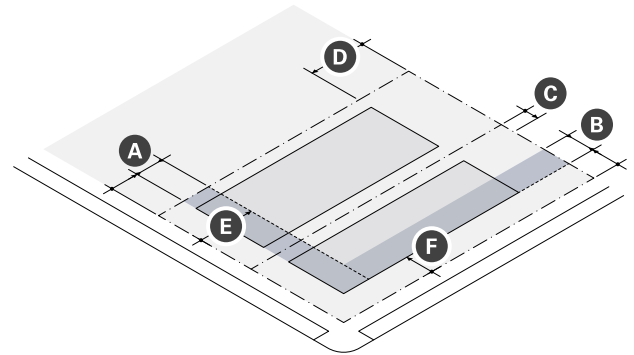
Neighborhood Residence (NR)

3.1.7 Cottage (continued)

a. LOT Standards



b. BUILDING Placement



Lot Dimensions	
A LOT WIDTH (min)	–
No Driveway ACCESS	32 ft
Side or Rear Driveway ACCESS	32 ft
Front Driveway ACCESS	34 ft
B LOT DEPTH (min)	70 ft

Lot Development	
C LOT COVERAGE (max)	60%
D GREEN SCORE	–
Minimum	0.35
Ideal	0.40

Building Setbacks		
A Primary Front SETBACK ¹ (min/max)	10 ft	20 ft
B Secondary Front SETBACK ¹ (min/max)	10 ft	20 ft
C Side SETBACK (min)	–	
No Driveway ACCESS	5 ft	
Side or Rear Driveway ACCESS	5 ft	
Front Driveway ACCESS	3 ft	
Sum of Side SETBACKS (min)	–	
No Driveway ACCESS	10 ft	
Side or Rear Driveway ACCESS	10 ft	
Front Driveway ACCESS	12 ft	
D Rear SETBACK (min)	20 ft	
E Building Separation (min)	10 ft	

Parking Setbacks	
F Primary Front SETBACK (min)	20 ft
G Secondary Front SETBACK (min)	10 ft

¹ See §3.1.13.a Contextual Front SETBACKS

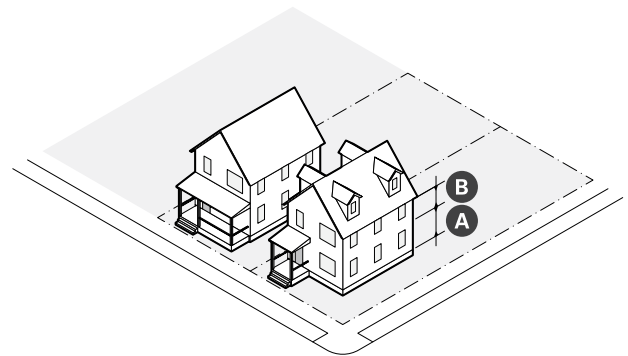
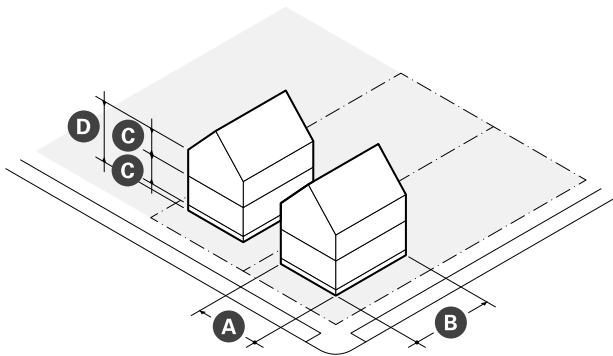
3. RESIDENTIAL DISTRICTS

Neighborhood Residence (NR)

3.1.7 Cottage (continued)

c. Massing & Height

d. Uses & Features



Main Mass	
FACADE Build Out (min)	60%
A Width (min/max)	22 ft 26 ft
B Depth (min/max)	24 ft 32 ft
GROUND STORY Elevation (min)	2 ft
C STORY Height (min/max)	10 ft 12 ft
D Number of Stories (max)	2
Roof Type	Flat, GABLE, MANSARD

Facade Composition		
A GROUND STORY FENESTRATION (min/max)	15%	50%
B UPPER STORY FENESTRATION (min/max)	15%	50%

Use & Occupancy	
DWELLING UNITS per LOT (max)	1
DWELLING UNITS (max)	1
Outdoor AMENITY SPACE (min)	1/ DU

3. RESIDENTIAL DISTRICTS

Neighborhood Residence (NR)

3.1.7 Cottage (continued)

e. Reserved.

3. RESIDENTIAL DISTRICTS

Neighborhood Residence (NR)

3.1.8 Detached House

A moderate FLOOR PLATE, detached, PRINCIPAL BUILDING TYPE with one (1) to three (3) vertically stacked DWELLING UNITS, where each unit typically has its own front door. The house is the most prevalent BUILDING TYPE in Somerville. When the second floor is split between two DWELLING UNITS, this type is referred to as a “Philly Style.”

The following images are examples from Somerville of the house BUILDING TYPE and are intended only for illustrative purposes.

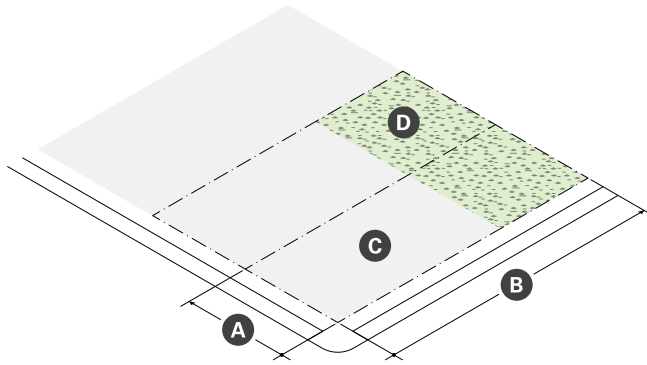


3. RESIDENTIAL DISTRICTS

Neighborhood Residence (NR)

3.1.8 Detached House (continued)

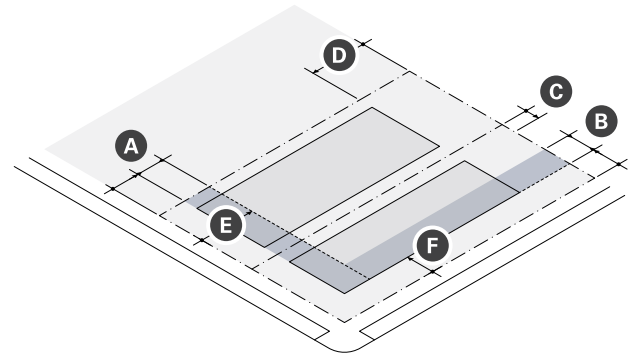
a. LOT Standards



Lot Dimensions	
A LOT WIDTH (min)	–
No Driveway ACCESS	32 ft
Side or Rear Driveway ACCESS	32 ft
Front Driveway ACCESS	34 ft
B LOT DEPTH (min)	80 ft

Lot Development	
C LOT COVERAGE (max)	60%
D GREEN SCORE	–
Minimum	0.35
Ideal	0.40

b. BUILDING Placement



Building Setbacks		
A Primary Front SETBACK ¹ (min/max)	10 ft	20 ft
B Secondary Front SETBACK ¹ (min/max)	10 ft	20 ft
C Side SETBACK (min)	–	
No Driveway ACCESS	5 ft	
Side or Rear Driveway ACCESS	5 ft	
Front Driveway ACCESS	3 ft	
Sum of Side SETBACKS (min)	–	
No Driveway ACCESS	10 ft	
Side or Rear Driveway ACCESS	10 ft	
Front Driveway ACCESS	12 ft	
D Rear SETBACK (min)	20 ft	
E Building Separation (min)	10 ft	

Parking Setbacks	
F Primary Front SETBACK (min)	20 ft
G Secondary Front SETBACK (min)	10 ft

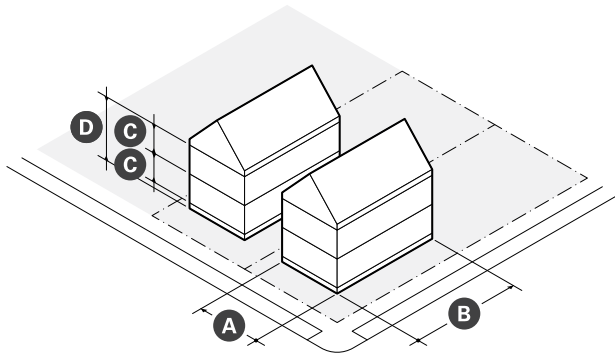
¹ See §3.1.13.a Contextual Front SETBACKS

3. RESIDENTIAL DISTRICTS

Neighborhood Residence (NR)

3.1.8 Detached House (continued)

c. Massing & Height



d. Uses & Features



Main Mass	
FACADE Build Out (min)	50%
A Width (min/max)	22 ft 28 ft
B Depth (min/max)	28 ft 48 ft
GROUND STORY Elevation (min)	2 ft
C STORY Height (min/max)	10 ft 12 ft
D Number of STORIES (max)	2.5
Roof Type	Flat, GABLE, GAMBREL, HIP, or MANSARD

Facade Composition		
A GROUND STORY FENESTRATION (min/max)	15%	50%
B UPPER STORY FENESTRATION (min/max)	15%	50%

Use & Occupancy	
DWELLING UNITS per LOT (max)	3
DWELLING UNITS (max)	3
Outdoor AMENITY SPACE (min)	1/ DU

3. RESIDENTIAL DISTRICTS

Neighborhood Residence (NR)

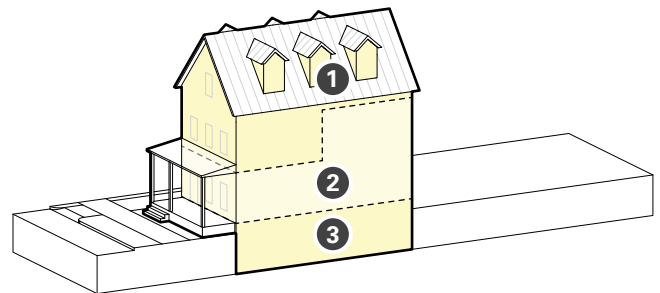
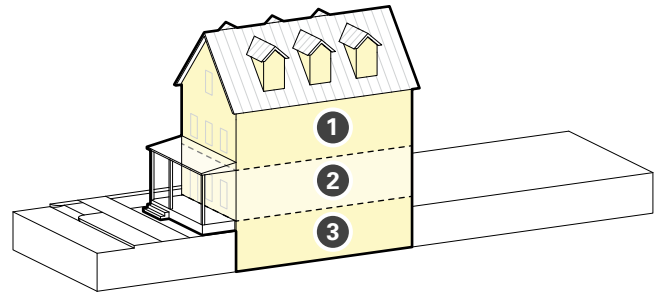
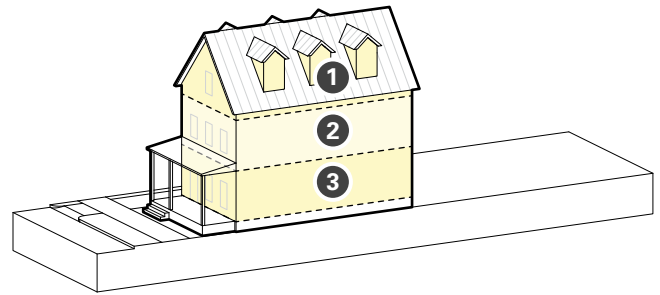
3.1.8 Detached House (continued)

- e. Housing
 - i. Multiple DWELLING UNITS within a detached house BUILDING TYPE must be, generally, stacked one over the other. Common examples are shown in Figure 3.1.8. DWELLING UNITS that are side-by-side or front-to-back in orientation are not permitted.
- f. DEVELOPMENT Benefits
 - i. DEVELOPMENT is subject to the provisions of Article 12: DEVELOPMENT Benefits of this Ordinance. Where the provisions of this section conflict with those of Article 12, the provisions of Article 12 apply.
 - ii. DEVELOPMENT of a detached house PRINCIPAL BUILDING must provide AFFORDABLE DWELLING UNITS as specified on Table 3.1.8.
 - iii. Required ADUs must be priced as a Tier 3 ADU.

Table 3.1.8 Required ADUs

Dwelling Units per Lot	Required ADUs
0 to 2 units	None
3 units	1 unit

Figure 3.1.8 DU Orientation Examples



"Philly Style"

3. RESIDENTIAL DISTRICTS

Neighborhood Residence (NR)

3.1.9 Semi-Detached House

A moderate FLOOR PLATE, semi-detached, PRINCIPAL BUILDING TYPE with one (1) to three (3) vertically stacked DWELLING UNITS. A semi-detached house must be attached on one side to another semi-detached house by a PARTY WALL.

The following images are examples from Somerville of the semi-detached house BUILDING TYPE and are intended only for illustrative purposes.

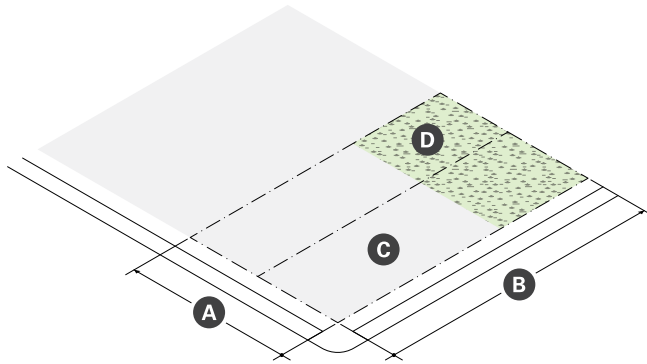


3. RESIDENTIAL DISTRICTS

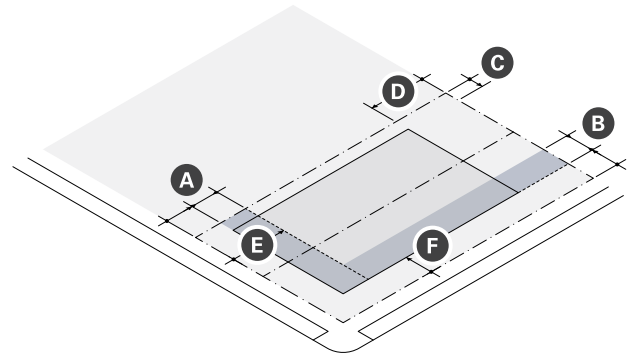
Neighborhood Residence (NR)

3.1.9 Semi-Detached House (continued)

a. LOT Standards



b. BUILDING Placement



Lot Dimensions	
A LOT WIDTH (min)	--
No Driveway ACCESS	27 ft
Side or Rear Driveway ACCESS	27 ft
Front Driveway ACCESS	30 ft
B LOT DEPTH (min)	80 ft

Lot Development	
C LOT COVERAGE (max)	60%
D GREEN SCORE	--
Minimum	0.35
Ideal	0.40

Building Setbacks		
A Primary Front SETBACK ¹ (min/max)	10 ft	20 ft
B Secondary Front SETBACK ¹ (min/max)	10 ft	20 ft
C Side SETBACK (min)	--	
No Driveway ACCESS	5 ft	
Side or Rear Driveway ACCESS	5 ft	
Front Driveway ACCESS	8 ft	
Party Line SETBACK (min)	0 ft	
Sum of Side SETBACKS (min)	--	
No Driveway ACCESS	5 ft	
Side or Rear Driveway ACCESS	5 ft	
Front Driveway ACCESS	8 ft	
D Rear SETBACK (min)	20 ft	
E Building Separation (min)	10 ft	

Parking Setbacks	
F Primary Front SETBACK (min)	20 ft
G Secondary Front SETBACK (min)	10 ft

¹ See §3.1.13.a Contextual Front SETBACKS

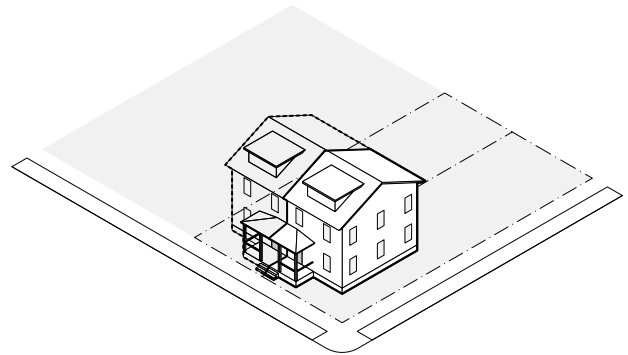
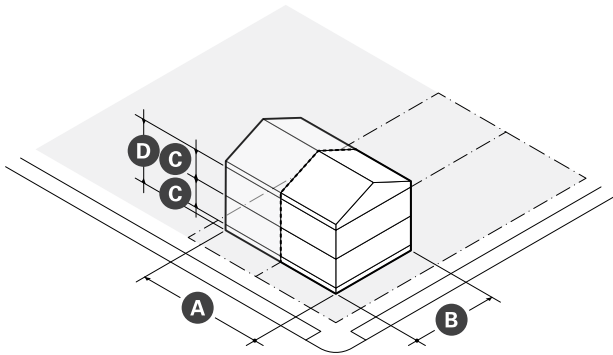
3. RESIDENTIAL DISTRICTS

Neighborhood Residence (NR)

3.1.9 Semi-Detached House (continued)

c. Massing & Height

d. Uses & Features



Main Massing	
FACADE Build Out (min)	50%
A Width (min/max)	22 ft 28 ft
B Depth (min/max)	28 ft 48 ft
GROUND STORY Elevation (min)	2 ft
C STORY Height (min/max)	10 ft 12 ft
D Number of Stories (max)	2.5
Roof Type	Flat, GABLE, HIP, MANSARD

Facade Composition		
A GROUND STORY FENESTRATION (min/max)	15%	50%
B UPPER STORY FENESTRATION (min/max)	15%	50%

Use & Occupancy	
DWELLING UNITS per LOT (max)	3
DWELLING UNITS (max)	3
Outdoor AMENITY SPACE (min)	1/ DU

3. RESIDENTIAL DISTRICTS

Neighborhood Residence (NR)

3.1.9 Semi-Detached House (continued)

- e. Housing
 - i. Multiple DWELLING UNITS within a semi-detached HOUSE BUILDING TYPE must be, generally, stacked one over the other. Common examples are shown in Figure 3.1.9. DWELLING UNITS that are side-by-side or front-to-back in orientation are not permitted.
- f. DEVELOPMENT Benefits
 - i. DEVELOPMENT is subject to the provisions of Article 12: DEVELOPMENT Benefits of this Ordinance. Where the provisions of this section conflict with those of Article 12, the provisions of Article 12 apply.
 - ii. DEVELOPMENT of a detached HOUSE PRINCIPAL BUILDING must provide AFFORDABLE DWELLING UNITS as specified on Table 3.1.9.
 - iii. Required ADUs must be priced as a Tier 3 ADU.

Table 3.1.9 Required ADUs

Dwelling Units per Lot	Required ADUs
0 to 2 units	None
3 units	1 unit

Figure 3.1.9 DU Orientation Examples

3. RESIDENTIAL DISTRICTS

Neighborhood Residence (NR)

3.1.10 Duplex

A moderate FLOOR PLATE, detached, PRINCIPAL BUILDING TYPE with two (2) side-by-side DWELLING UNITS. When occupying a CORNER LOT, the duplex may have DWELLING UNITS attached back to side so that one (1) DWELLING UNIT is oriented toward each frontage.

The following images are primarily examples from Somerville of the duplex BUILDING TYPE and are intended only for illustrative purposes.

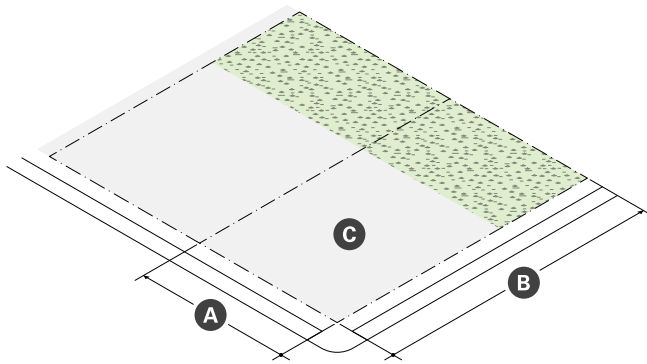


3. RESIDENTIAL DISTRICTS

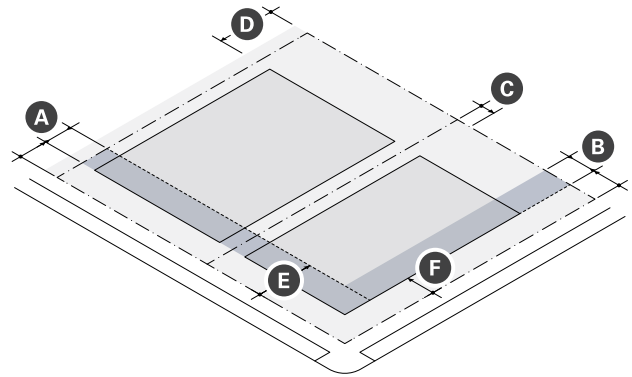
Neighborhood Residence (NR)

3.1.10 Duplex (continued)

a. LOT Standards



b. BUILDING Placement



Lot Dimensions	
A LOT WIDTH (min)	--
No Driveway ACCESS	50 ft
Side or Rear Driveway ACCESS	50 ft
Front Driveway ACCESS	52 ft
B LOT DEPTH (min)	70 ft

Lot Development	
C LOT COVERAGE (max)	60%
GREEN SCORE	--
Minimum	0.35
Ideal	0.40

Building Setbacks		
A Primary Front SETBACK ¹ (min/max)	10 ft	20 ft
B Secondary Front SETBACK ¹ (min/max)	10 ft	20 ft
C Side SETBACK (min)	--	
No Driveway ACCESS	5 ft	
Side or Rear Driveway ACCESS	5 ft	
Front Driveway ACCESS	3 ft	
Sum of Side SETBACKS (min)	--	
No Driveway ACCESS	10 ft	
Side or Rear Driveway ACCESS	10 ft	
Front Driveway ACCESS	12 ft	
D Rear SETBACK (min)	20 ft	
E Building Separation (min)	10 ft	

Parking Setbacks	
F Primary Front SETBACK (min)	20 ft
G Secondary Front SETBACK (min)	10 ft

¹ See §3.1.13.a Contextual Front SETBACKS

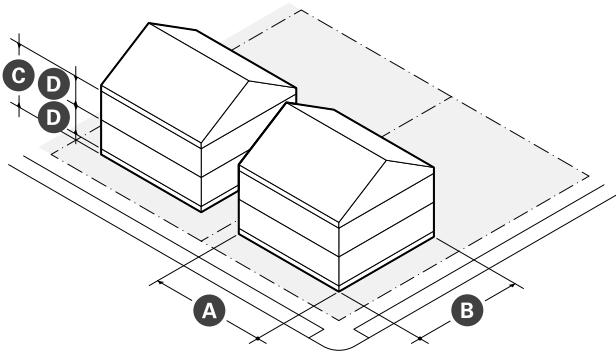
3. RESIDENTIAL DISTRICTS

Neighborhood Residence (NR)

3.1.10 Duplex (continued)

c. Massing & Height

d. Uses & Features



Main Massing	
FACADE Build Out (min)	50%
A Width (min/max)	40 ft 56 ft
B Depth (min/max)	30 ft 52 ft
GROUND STORY Elevation (min)	2 ft
C STORY Height (min/max)	10 ft 12 ft
D Number of Buildings (max)	2.5 stories
Roof Type	Flat, GABLE, HIP, MANSARD

Facade Composition		
A GROUND STORY FENESTRATION (min/max)	15%	50%
B UPPER STORY FENESTRATION (min/max)	15%	50%

Use & Occupancy	
DWELLING UNITS per LOT (max)	2
DWELLING UNITS (max)	2
Outdoor AMENITY SPACE (min)	1/ DU

3. RESIDENTIAL DISTRICTS

Neighborhood Residence (NR)

3.1.10 Duplex (continued)

- e. Housing
 - i. The two (2) DWELLING UNITS within a duplex BUILDING TYPE must be side-by-side and both must be oriented toward the FRONT LOT LINE. On CORNER LOTS, one DWELLING UNIT may be oriented toward each FRONT LOT LINE resulting in units that are back-to-side in orientation. See Figure 3.1.10. DWELLING UNITS that are stacked one over the other or attached front to back in orientation are not permitted.

Figure 3.1.10 DU Orientation Examples

3. RESIDENTIAL DISTRICTS

Neighborhood Residence (NR)

3.1.11 Detached Triple Decker

A moderate FLOOR PLATE, detached, PRINCIPAL BUILDING TYPE with two (2) to three (3) vertically stacked DWELLING UNITS.

The following images are examples from Somerville of the detached triple DECKER BUILDING TYPE and are intended only for illustrative purposes.

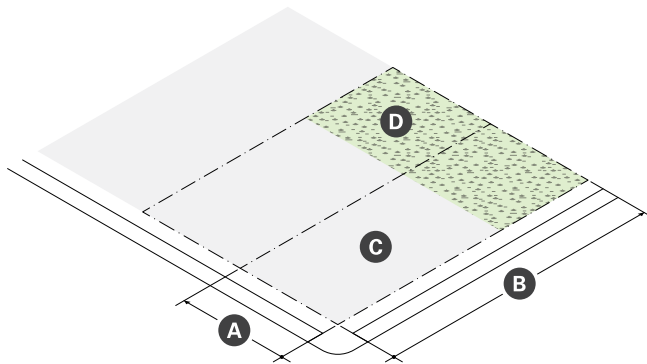


3. RESIDENTIAL DISTRICTS

Neighborhood Residence (NR)

3.1.11 Detached Triple Decker (continued)

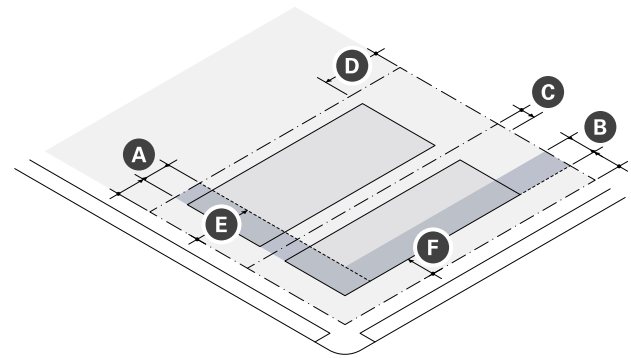
a. Lot Standards



Lot Dimensions	
A LOT WIDTH (min)	--
No Driveway ACCESS	34 ft
Side or Rear Driveway ACCESS	34 ft
Front Driveway ACCESS	36 ft
B LOT DEPTH (min)	80 ft

Lot Development	
C LOT COVERAGE (max)	60%
D GREEN SCORE	--
Minimum	0.35
Ideal	0.40

b. BUILDING Placement



Building Setbacks		
A Primary Front SETBACK ¹ (min/max)	10 ft	20 ft
B Secondary Front SETBACK ¹ (min/max)	10 ft	20 ft
C Side SETBACK (min)	--	
No Driveway ACCESS	5 ft	
Side or Rear Driveway ACCESS	5 ft	
Front Driveway ACCESS	3 ft	
Sum of Side SETBACKS (min)	--	
No Driveway ACCESS	10 ft	
Side or Rear Driveway ACCESS	10 ft	
Front Driveway ACCESS	12 ft	
D Rear SETBACK (min)	20 ft	
E Building Separation (min)	10 ft	

Parking Setbacks	
F Primary Front SETBACK (min)	20 ft
G Secondary Front SETBACK (min)	10 ft

¹ See §3.1.13.a Contextual Front SETBACKS

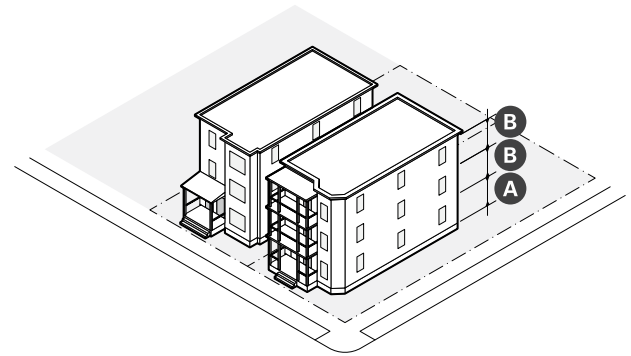
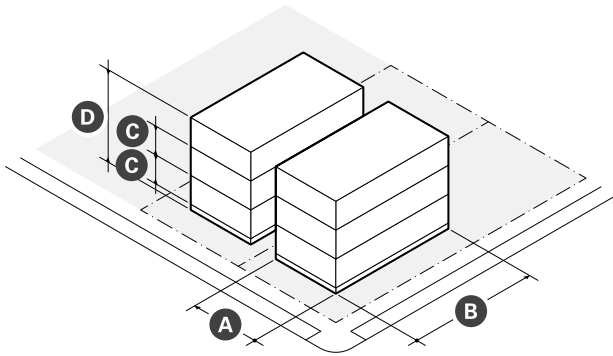
3. RESIDENTIAL DISTRICTS

Neighborhood Residence (NR)

3.1.11 Detached Triple Decker (continued)

c. Massing & Height

d. Uses & Features



Main Massing	
FACADE Build Out (min)	60%
A Width (min/max)	24 ft 30 ft
B Depth (min/max)	36 ft 50 ft
GROUND STORY Elevation (min)	2 ft
C STORY Height (min/max)	10 ft 12 ft
D Number of Stories (max)	3 stories
Roof Type	Flat

Facade Composition	
A GROUND STORY FENESTRATION (min/max)	15% 50%
B UPPER STORY FENESTRATION (min/max)	15% 50%

Use & Occupancy	
DWELLING UNITS per LOT (max)	3
DWELLING UNITS (max)	3
Outdoor AMENITY SPACE (min)	1/ DU

3. RESIDENTIAL DISTRICTS

Neighborhood Residence (NR)

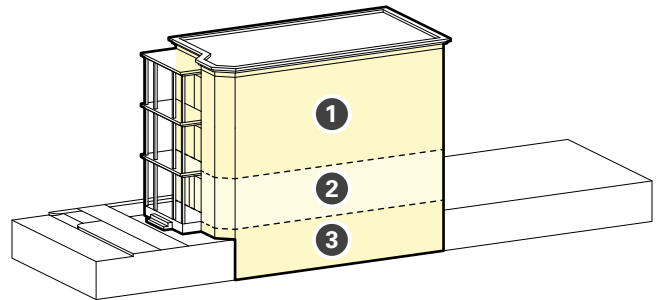
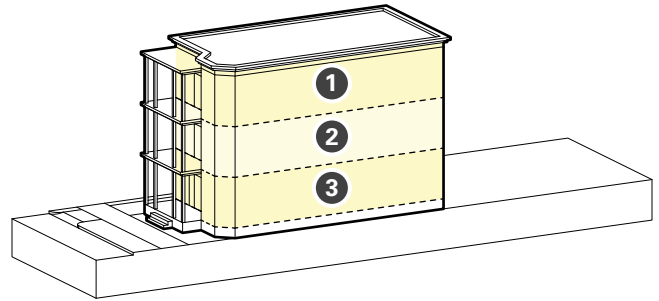
3.1.11 Detached Triple Decker (continued)

- e. Housing
 - i. Multiple DWELLING UNITS within a detached triple DECKER BUILDING TYPE must be, generally, stacked one over the other. Common examples are shown in Figure 3.1.11. DWELLING UNITS that are side-by-side or front-to-back in orientation are not permitted.
- f. DEVELOPMENT Benefits
 - i. DEVELOPMENT is subject to the provisions of Article 12: DEVELOPMENT Benefits of this Ordinance. Where the provisions of this section conflict with those of Article 12, the provisions of Article 12 apply.
 - ii. DEVELOPMENT of a detached triple DECKER must provide AFFORDABLE DWELLING UNITS as specified on Table 3.1.11.
 - iii. Required ADUs must be priced as a Tier 3 ADU.

Table 3.1.11 Required ADUs

Dwelling Units per Lot	Required ADUs
0 to 2 units	None
3 units	1 unit

Figure 3.1.11 DU Orientation Examples



3. RESIDENTIAL DISTRICTS

Neighborhood Residence (NR)

3.1.12 Backyard Cottage

A small FLOOR PLATE, detached, ACCESSORY building type typically providing space for one (1) small dwelling unit, a home occupation, a playhouse for children, or vehicular parking on the same lot as a principal building type.

The following images are examples of the backyard cottage accessory building type and are intended only for illustrative purposes.



3. RESIDENTIAL DISTRICTS

Neighborhood Residence (NR)

3.1.12 Backyard Cottage (continued)

a. LOT Standards

b. BUILDING Placement

Lot Dimensions	
A LOT WIDTH (min)	–
No Driveway ACCESS	32 ft
Side or Rear Driveway ACCESS	32 ft
Front Driveway ACCESS	34 ft
B LOT DEPTH (min)	80 ft

Lot Development	
C LOT Coverage (max)	per PRINCIPAL BUILDING
D GREEN SCORE (min)	per PRINCIPAL BUILDING

Building Setbacks	
A Primary Front SETBACK (min)	60 ft
B Secondary Front SETBACK (min)	10 ft
C Side SETBACK (min)	3 ft
E Rear SETBACK (min)	3 ft
ALLEY	3 or 20 ft
No ALLEY	3 ft
E Building Separation (min)	10 ft

3. RESIDENTIAL DISTRICTS

Neighborhood Residence (NR)

3.1.12 Backyard Cottage (continued)

c. Massing & Height

d. Uses & Features

Main Massing	
A Width (max)	24 ft
B Depth (max)	32 ft
C Floor plate (max)	576 sf
D Story Height (max)	12 ft
E Number of Stories (max)	1.5 stories
Roof Type	Flat, Gable,

Facade Composition		
A GROUND STORY FENESTRATION (min/max)	--	
Residential Use	15%	50%
Vehicular Parking	0%	50%
B UPPER STORY FENESTRATION (min/max)	15%	50%

Use & Occupancy	
DWELLING UNITS per LOT (max)	per PRINCIPAL BUILDING
DWELLING UNITS (max)	1

3. RESIDENTIAL DISTRICTS

Neighborhood Residence (NR)

3.1.12 Backyard Cottage (continued)

- e. Housing
 - i. Reserved
- f. Development Benefits
 - i. Development is subject to the provisions of Article 12: Development Benefits of this Ordinance. Where the provisions of this section conflict with those of Article 12, the provisions of Article 12 apply.
 - ii. Development of a Backyard Cottage accessory building may or may not require a dwelling unit to be an affordable dwelling unit based on the combined number dwelling units provided in the principal building and the backyard cottage. See the standards for each principal building type for additional information.
 - iii. Required ADUs must be priced as a Tier 3 ADU.
- g. Design Standards
 - i. A three (3) foot wide paved walkway capable of allowing an ambulance cot to be wheeled to and from the Backyard Cottage is required.
 - ii. Utility services for the Backyard Cottage must be buried underground.
 - iii. By order of the Fire Prevention Bureau, Backyard Cottages occupied by any permitted Residential principal use must have an automatic sprinkler system unless they are on a corner lot, a lot with a driveway leading to the Backyard Cottage, or a lot abutting an alley.

3. RESIDENTIAL DISTRICTS

Neighborhood Residence (NR)

13. Building Components

- a. BUILDING COMPONENTS are ACCESSORY elements attached to the MAIN MASSING of a PRINCIPAL BUILDING.
- b. BUILDING COMPONENTS are permitted as specified on Table 3.1.13.
- c. Building components that are not identified on Table 3.1.13 are prohibited.
- d. Unless otherwise specified, BUILDING COMPONENTS may attach to other BUILDING COMPONENTS to create assemblies of components.

Table 3.1.13 Building Components

	Cottage	Detached House	Semi-Detached House	Duplex	Detached Triple Decker	Backyard Cottage
Entry Canopy	P	P	P	P	P	P
Stoop	P	P	P	P	P	P
Portico	P	P	P	P	P	P
Projecting Porch	P	P	P	P	P	P
Engaged Porch	P	P	P	P	N	N
Bay	P	P	P	P	P	N
Dormer	P	P	P	P	N	P
Shed Dormer	P	P	P	P	N	P
Cross Gable	P	P	P	P	N	P
Projecting Gable	P	P	P	P	N	N
Side Wing	P	P	P	P	N	N
Rear Addition	P	P	P	P	N	N

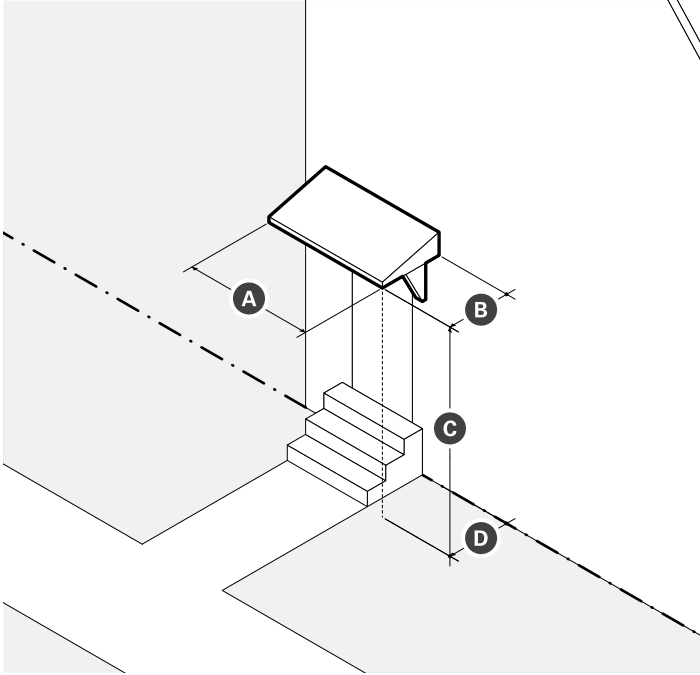
P - Permitted SP - Special Permit Required N - Not Permitted

3. RESIDENTIAL DISTRICTS

Neighborhood Residence (NR)

e. Entry Canopy

- i. An entry canopy is a wall-mounted structure that provides shade and weather protection over the entrance of a BUILDING.

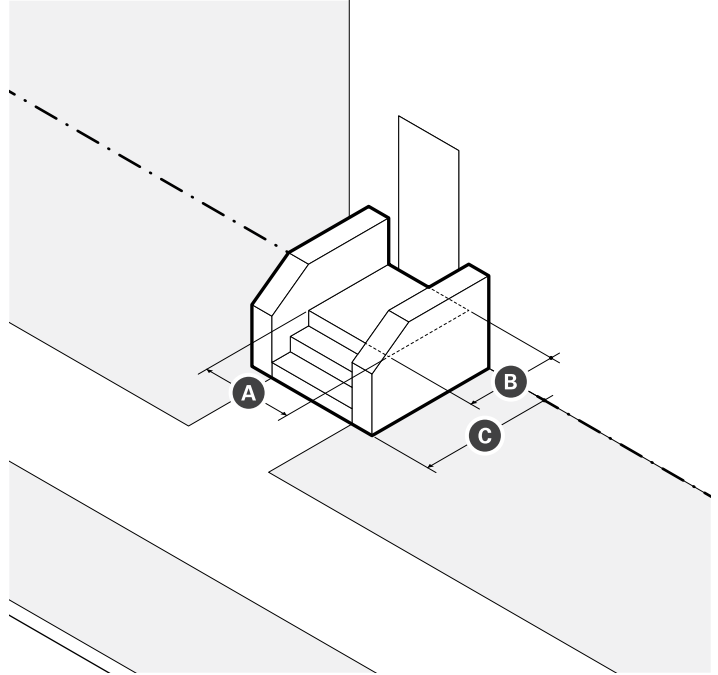


Dimensions	
A Width (min)	See ii. Standards
B Projection (max)	3 ft
C CLEARANCE (min)	8 ft
D SETBACK ENCROACHMENT (max)	–
Front	100%
Side & Rear	0 ft

- ii. Standards
 - a). Entry canopies must be visually supported by brackets, cables, or rods.
 - b). The width of an entry canopy must be equal to or greater than the width of the doorway surround, trim, or exterior casing it is mounted above.

f. Stoop

- i. A stoop is a set of stairs with a landing that provides ACCESS to the entrance of a BUILDING.



Dimensions	
A Landing Width (min)	4 ft
B Landing Depth (min)	4 ft
C SETBACK ENCROACHMENT (max)	–
Front	100%
Side & Rear	0 ft

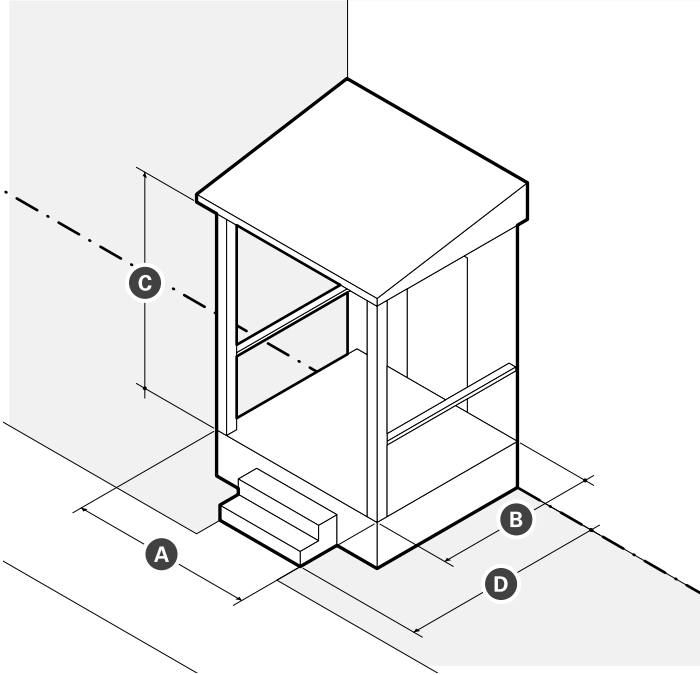
- ii. Standards
 - a). Stairs may be recessed into the BUILDING FACADE when the BUILDING is set back four (4) feet or less.
 - b). Stairs are not permitted to ENCROACH onto any ABUTTING sidewalk.
 - c). Stairs may be built perpendicular or parallel to the BUILDING FACADE, but must lead directly to ground level or an ABUTTING sidewalk.

3. RESIDENTIAL DISTRICTS

Neighborhood Residence (NR)

g. Portico

- i. A portico is a raised platform with a roof supported by columns, PIERS, or posts and set of stairs with a landing that provides ACCESS to the entrance of a BUILDING.

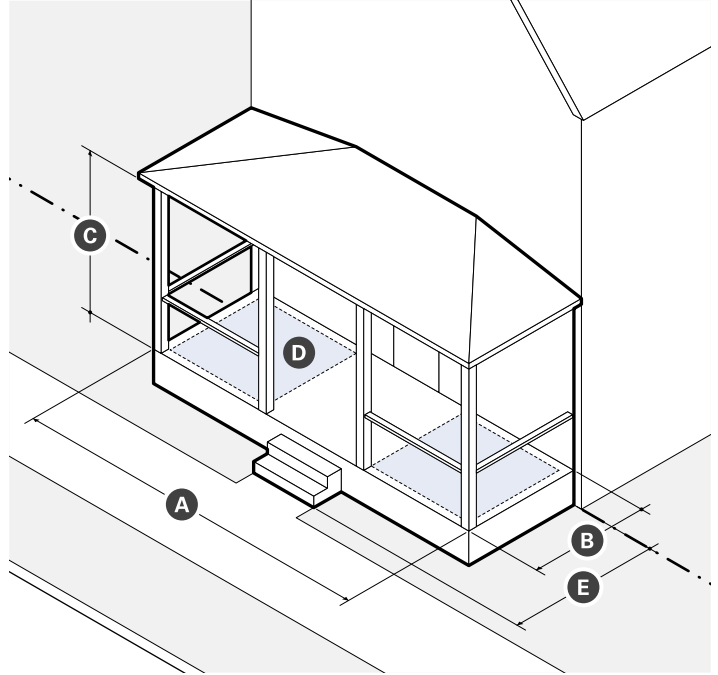


Dimensions	
A Landing Width (min)	4 ft
B Landing Depth (max)	4 ft
C CLEARANCE (min)	8 ft
D SETBACK ENCROACHMENT (max)	–
Front	100%
Side & Rear	0 ft

- ii. Standards
 - a). Stairs are not permitted to ENCROACH onto any ABUTTING sidewalk.
 - b). Stairs may be built perpendicular or parallel to the BUILDING FACADE, but must lead directly to ground level or an ABUTTING sidewalk.

h. Porch

- i. A porch is a wide, raised platform with a roof supported by columns, PIERS, or posts; an area for seating; and set of stairs with a landing that provides ACCESS to the entrance of a BUILDING.



Dimensions	
A Width (min)	12 ft
B Projection (min)	6 ft
C CLEARANCE (min)	8 ft
D FURNITURE AREA, Clear (min)	6 ft x 6 ft
D SETBACK ENCROACHMENT (max)	–
Front	100%
Side & Rear	0 ft

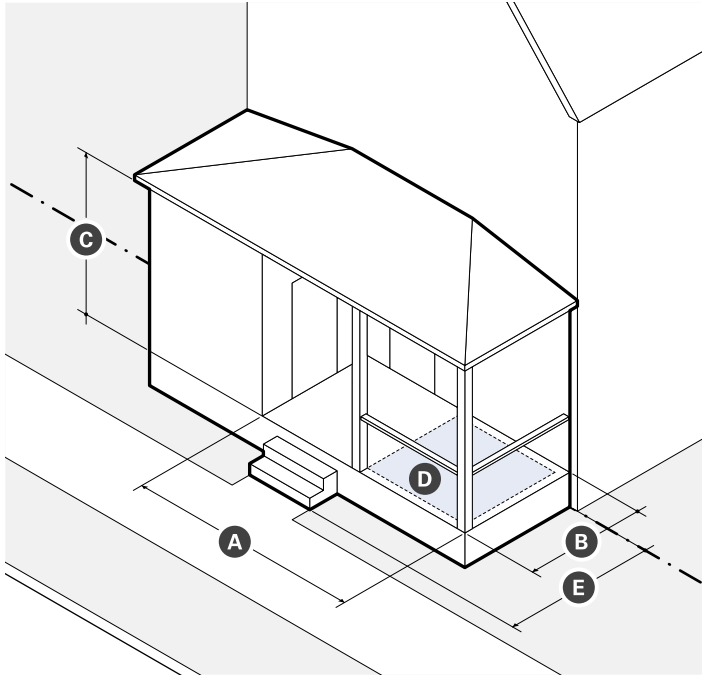
- ii. Standards
 - a). Stairs are not permitted to ENCROACH onto any ABUTTING sidewalk.
 - b). Porch railings must permit visual supervision of the PUBLIC REALM through the posts and rails.
 - c). A porch may be screened provided the percentage of window area to wall area is seventy percent (70%) or greater. Permanent enclosure of a porch to create year-round living space is not permitted.
 - d). Porches projecting from upper stories are not required to provide stairs and the upper most porch is not required to have a roof.

3. RESIDENTIAL DISTRICTS

Neighborhood Residence (NR)

i. Engaged Porch

- i. An engaged porch is a porch attached to a BUILDING at two sides, one to the FACADE and the other to a mud room or entry foyer.

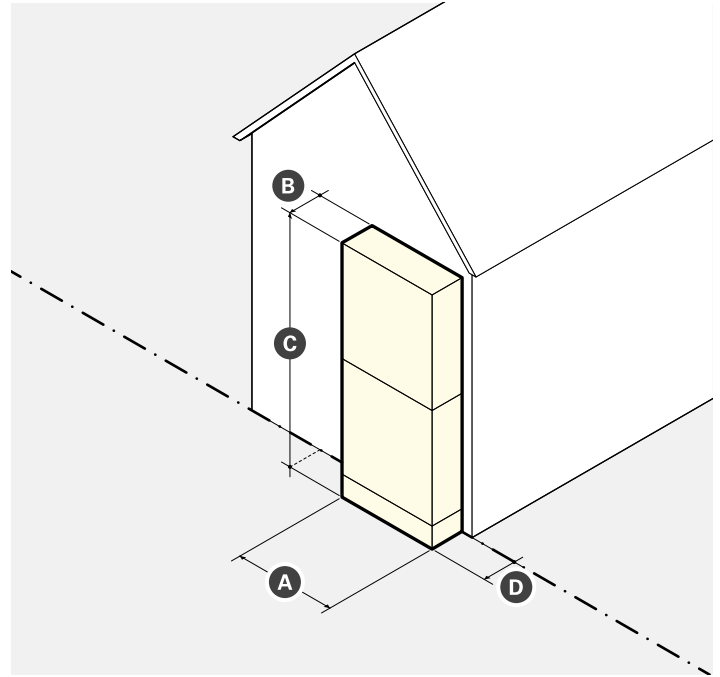


Dimensions	
A Width (min)	12 ft
B Depth (min)	6 ft
C CLEARANCE (min)	8 ft
D FURNITURE AREA, Clear (min)	6 ft x 6 ft
Mud Room/Foyer Width (max)	40% of MAIN BODY width
E SETBACK ENCROACHMENT (max)	--
Front	100%
Side & Rear	0 ft

- ii. Standards
 - a). Stairs are not permitted to ENCROACH onto any ABUTTING sidewalk.
 - b). Porch railings must permit visual supervision of the PUBLIC REALM through the posts and rails.
 - c). An engaged porch may be screened provided that the percentage of window area to wall area is seventy percent (70%) or greater. Permanent enclosure of a porch to create year-round living space is not permitted.
 - d). Engaged porches are only permitted at the first story of a building.

j. Bay Window

- i. A bay window is an assembly of windows projecting from a building to provide additional HABITABLE space, increased light, multi-directional views, and ARTICULATION to an exterior wall.



Dimensions	
A Width (max)	16 ft
B Projection (max)	3 ft
C Height (max)	Height of BUILDING in Stories
D SETBACK ENCROACHMENT (max)	--
Front	3 ft
Side & Rear	0 ft

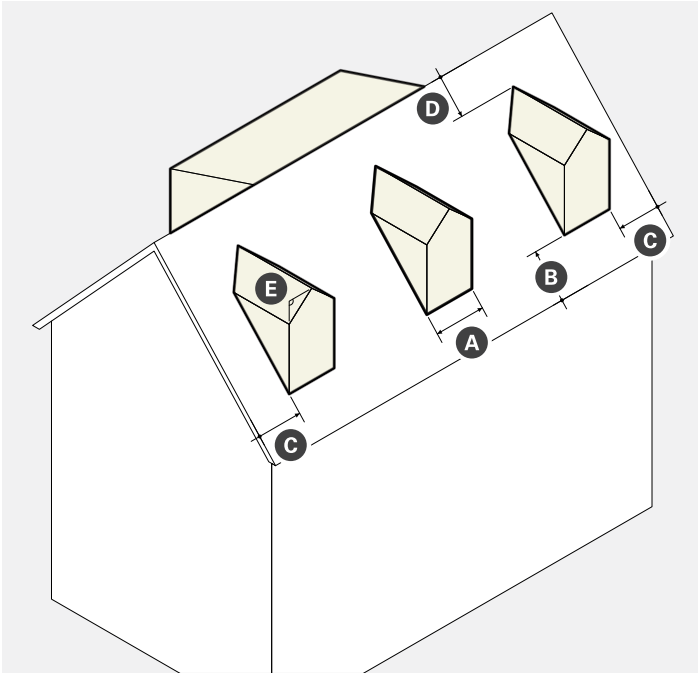
- ii. Standards
 - a). Bay windows, including box and bow windows, must include at least three (3) windows.
 - b). The cumulative width of multiple bays may equal up to fifty percent (50%) of the width of the exterior wall from which the bays project.
 - c). Bays projecting over the sidewalk of a public THOROUGHFARE must have at least two (2) stories of CLEARANCE and be compliant with all City Ordinances.

3. RESIDENTIAL DISTRICTS

Neighborhood Residence (NR)

k. Dormer

- i. A dormer is a window space with a GABLE, HIP, or arched roof that projects perpendicularly from a pitched roof below. Dormer windows provide light to the HABITABLE space of a half-STORY.

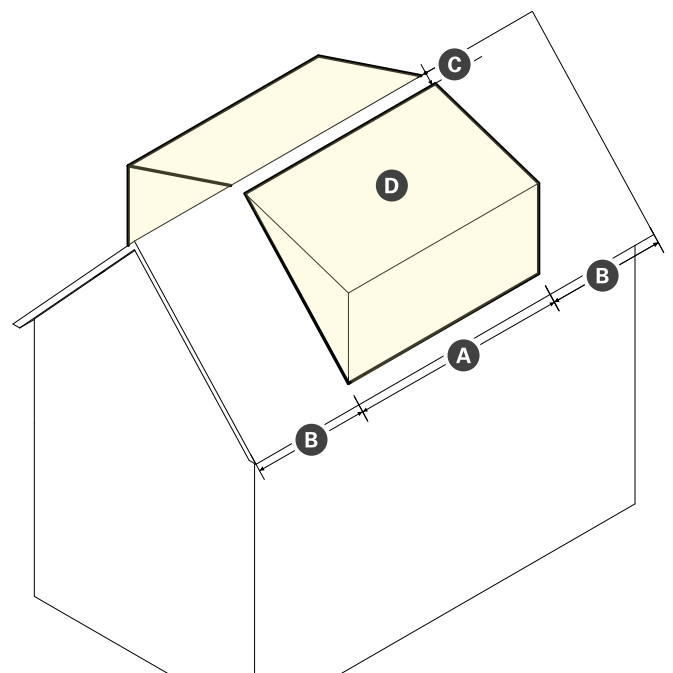


Dimensions	
A Width (max)	window(s) width + 18 in
Side Wall SETBACK (min)	–
Roof with eave	0 ft
Roof without eave	1 ft
B Front & Rear Wall SETBACK (min)	3 ft
C Ridge SETBACK (min)	1 ft
D Roof Slope (min)	4:12 (18.43°)
E Dormer Separation (min)	50% of dormer width

- ii. Standards
 - a). The face wall of a dormer window may not project beyond the exterior wall of the BUILDING and may not interrupt the eave of the roof.
 - b). Dormer windows may be combined with a shed dormer(s) to create a Nantucket dormer.
 - c). The cumulative width of a single, multiple, or attached combinations of dormers may equal up to fifty percent (50%) of the eave length of the roof below.

l. Shed Dormer

- i. A shed dormer is window space with a shed roof that projects perpendicularly from a pitched roof below. Shed dormers provide light and additional HABITABLE space to a half-STORY.



Dimensions	
A Width (max)	window(s) width + 36 in
Side Wall SETBACK (min)	–
Roof with eave	0 ft
Roof without eave	1 ft
B Front & Rear Wall SETBACK (min)	3 ft
C Ridge SETBACK (min)	1 ft
D Roof Slope (min)	4:12 (18.43°)
E Dormer Separation (min)	50% of dormer width

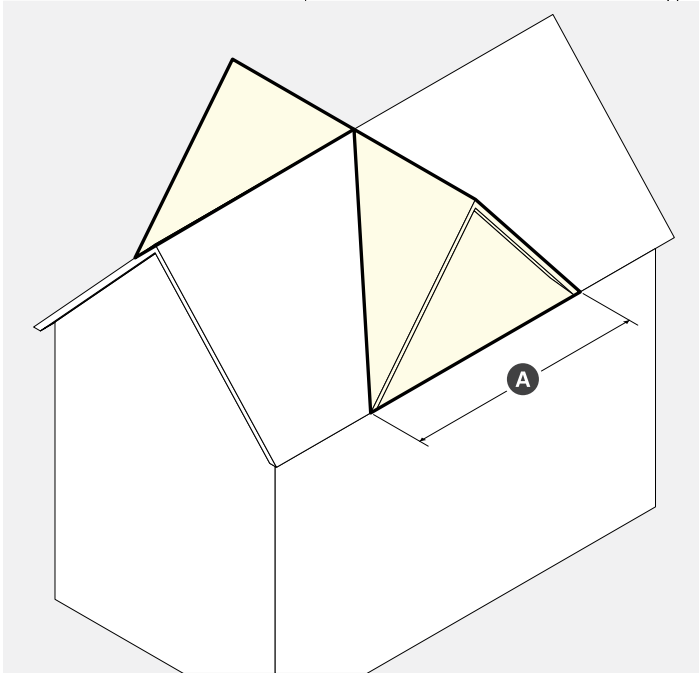
- ii. Standards
 - a). The face wall of a shed dormer may not project beyond the exterior wall of the BUILDING and may not interrupt the eave of the roof.
 - b). Shed dormers may be combined with a dormer window(s) to create a Nantucket dormer.
 - c). The cumulative width of a single, multiple, or attached combinations of dormers may equal up to fifty percent (50%) of the eave length of the roof below.

3. RESIDENTIAL DISTRICTS

Neighborhood Residence (NR)

m. Cross Gable

- i. A CROSS GABLE is a sloped roof that projects perpendicularly from the roof of a BUILDING to provide significant additional HABITABLE space to a half-STORY.

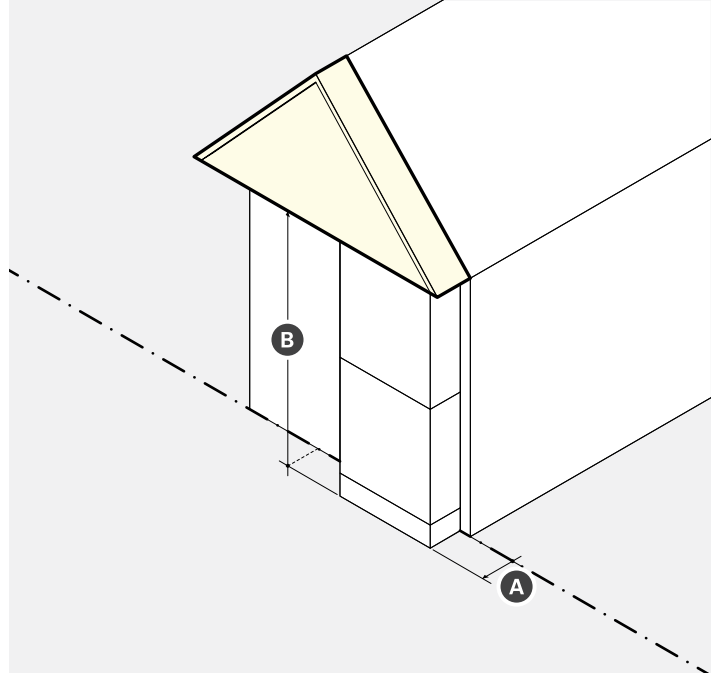


Dimensions	
A Width (max)	Equal to the width of the FACADE or side wall of the BUILDING, which ever is less
FENESTRATION (min)	15%

- ii. Standards
 - a). The ridge and eave of the cross GABLE must be structurally integrated into the ridge and eave of the MAIN ROOF.
 - b). Cross GABLES never have cheek walls.

n. Projecting Gable

- i. A projecting GABLE is an extension of the wall enclosing a pitched roof that expands the size of an attic or the HABITABLE space of a half-STORY.



Dimensions	
A Front SETBACK ENCROACHMENT (max)	Same as the furthest projecting Bay or Porch
B CLEARANCE (min)	Height of BUILDING in Stories

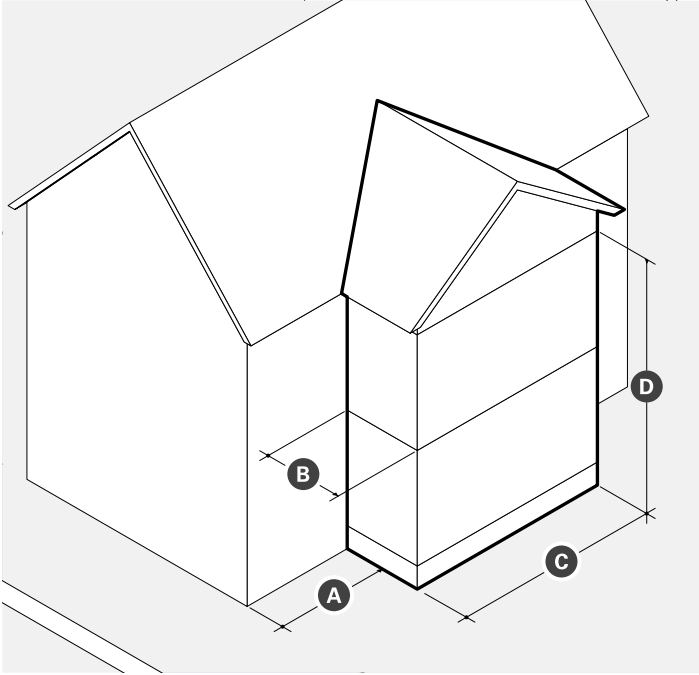
- ii. Standards
 - a). A projecting GABLE may extend only forward of the FACADE of a BUILDING.
 - b). A projecting GABLE is permitted only when a Bay or Porch is also present.

3. RESIDENTIAL DISTRICTS

Neighborhood Residence (NR)

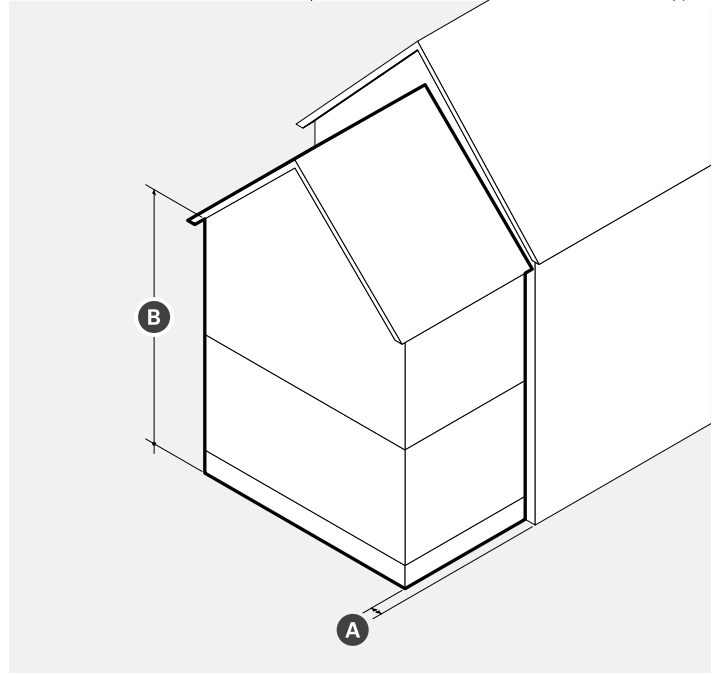
o. Side Wing

- i. A side wing is a multi-STORY extension from one or more side walls of a BUILDING.



p. Rear Addition

- i. A rear addition is an extension from the rear wall of a BUILDING.



Dimensions	
A SETBACK from FACADE (min)	5 ft
B Width (max)	50% of MAIN MASSING Width
C Depth (max)	100% of Main Mass Width
D Height (max)	Same as PRINCIPAL BUILDING
SETBACK ENCROACHMENT (max)	--
Front	0 ft
Side & Rear	0 ft

- ii. Standards
 - a). Side wings must include a similarly style roof as the PRINCIPAL BUILDING.

Dimensions	
A SETBACK from Exterior Side Walls (min)	1 ft
FLOOR PLATE (max)	50% of the FLOOR PLATE of the PRINCIPAL BUILDING
B Height (max)	Two (2) Stories
SETBACK ENCROACHMENT (max)	--
Front	0 ft
Side & Rear	0 ft

- ii. Standards
 - a). A rear addition may extend only backward from the rear of a BUILDING.
 - b). The slope of any pitched roof of a rear addition must be equal to or less than slope of the roof of the MAIN MASS of the BUILDING.

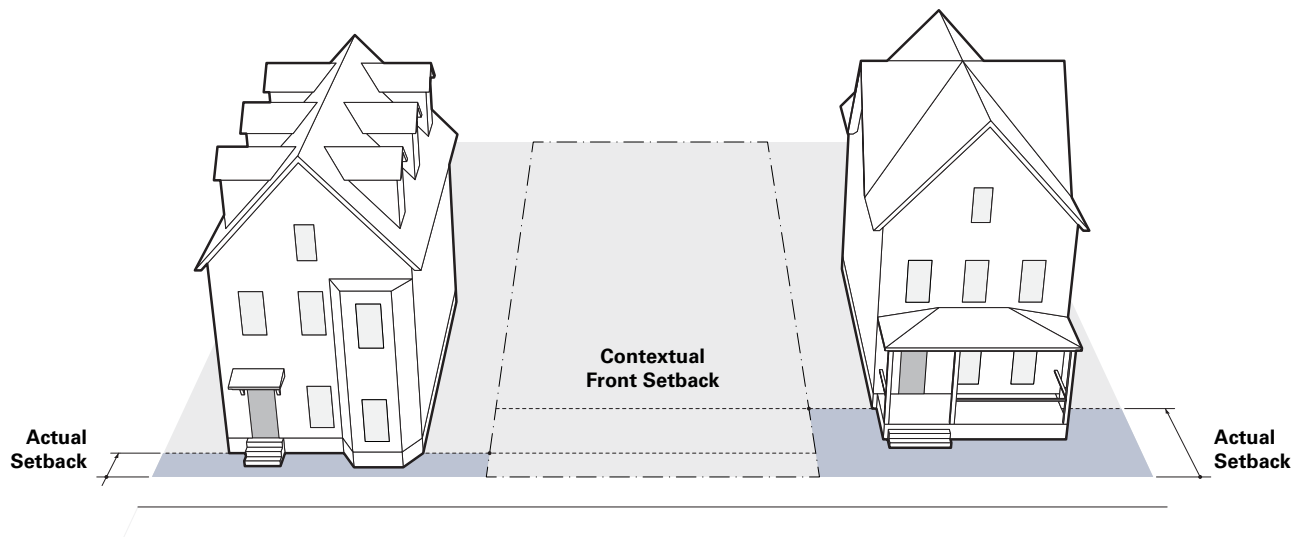
3. RESIDENTIAL DISTRICTS

Neighborhood Residence (NR)

14. Building Design Standards

- a. Contextual Front SETBACKS
 - i. Notwithstanding the front SETBACKS identified for each BUILDING TYPE, new construction must have a contextual front SETBACK as follows:
 - a). If the subject LOT is an INTERIOR LOT OR KEY LOT, the minimum and maximum front SETBACKS are equal to the actual distances that PRINCIPAL BUILDINGS are set back from the FRONT LOT LINE ON the two ABUTTING LOTS of the same BLOCK FACE. See Figure 3.1.14.
 - b). If the subject LOT is a CORNER LOT, the minimum front SETBACK is equal to the actual distance that the PRINCIPAL BUILDING is set back from the FRONT LOT LINE ON the ABUTTING LOT that is oriented toward the same THOROUGHFARE.
 - c). If the LOT on either side of the subject LOT is vacant, the minimum and maximum front SETBACK identified for each BUILDING TYPE governs.
 - ii. The contextual front SETBACK provision does not exempt any BUILDING from complying with the maximum front SETBACK required for each BUILDING TYPE.

Figure 3.1.14 Contextual Front SETBACK



15. Architectural Design Guidelines

- a. Privacy
 - i. GROUND STORY DWELLING UNITS should be elevated above the grade of any adjacent sidewalk so that the window sills of the DWELLING UNIT are at or above the eye-level of passing pedestrians. This elevation change maintains privacy for occupants while also encouraging open blinds or curtains to allow natural daylight into the unit.
 - ii. Dormer and sidewall window locations should break the direct line of sight between neighboring properties to every extent practicable. Translucent glass on the bottom half of windows or strategically placed landscape elements should be utilized if it is not practical to off-set windows in such a way as to minimize privacy impacts.
 - iii. Outdoor AMENITY SPACES that are elevated, such as roof DECKS, fully projecting balconies, and UPPER STORY rear porches should provide sight-obscuring visual screening at the sides to increase privacy, security, and to limit views of ABUTTING properties from elevated vantage points.

Figure 3.1.15 Visual Screening Example



3. RESIDENTIAL DISTRICTS

Neighborhood Residence (NR)

16. Use Provisions

- a. General
 - i. The USE of real property is subject to the provisions of Article 9: USE Provisions of this Ordinance. Where the provisions of this section conflict with those of Article 9, the provisions of Article 9 apply.
 - ii. USE categories are permitted as specified on Table 3.1.16.
 - iii. USE categories not identified on Table 3.1.16 are prohibited.
 - iv. All USES must comply with any USE-specific standards applicable for each USE in §9.2 Use Definitions & Limitations.
 - v. USES permitted by Special Permit require additional DEVELOPMENT review in accordance with §15.2.1 Special Permits.
- b. Adaptive Re-Use of Specific Buildings
 - i. The USE of any PRINCIPAL BUILDING constructed before the adoption date of this Ordinance for a non-residential USE that is considered nonconforming in the Neighborhood Residence district, as established by permit records or other historical documents accepted by the BUILDING OFFICIAL, or any BUILDING USED for municipal operations by the City of Somerville may be changed to any USE within the following PRINCIPAL USE categories in accordance with Table 3.1 (b):
 - a). ARTISINAL PRODUCTION;
 - b). Arts Sales & Services;
 - c). Design SERVICES;
 - d). Shared Workspace & Arts Education;
 - e). CONSUMER GOODS; or
 - f). Fresh Food Market or Grocery.

Table 3.1.16 Permitted Uses

Use Category Specific Use	NR
Arts & Creative Enterprise	
Artisinal Production	SP
Arts Sales & Service	SP
Design Services	SP
Shared Workspaces & Arts Education	SP
Auto-Oriented	
Motor Vehicle Parking (as noted below)	--
Off-Site Accessory Parking	SP
Civic & Institutional	
Minor Utility Facility	SP
Public Service	P
Religious & Educational Uses Protected by M.G.L. 40A. Sec. 3	P
Commercial Services	
Day Care Service (as noted below)	--
Child Day Care Center	P
Lodging	
Bed & Breakfast	SP
Residential	
Household Living	P
Group Living (except as follows)	SP
Community or Group Residence	P
Dormitory or Chapter House	N
Homeless Shelter	N
Nursing Home/Assisted Living Facility	N
Rooming House	N

P - Permitted SP - Special Permit Required N - Not Permitted

3. RESIDENTIAL DISTRICTS

Neighborhood Residence (NR)

Table 3.1.16 Permitted Uses (continued)

Use Category Specific Use	NR
Retail Sales	
Consumer Goods (except as follows)	P
Alcohol Sales	N
Firearms Sales	N
Pet Store	N
Fresh Food Market or Grocery Store	P
Urban Agriculture	
Farming (as noted below)	--
Commercial Farming	N
Community Farming	P
Community Gardening	P
Accessory Uses	
Home Occupations (as noted below)	--
Creative Studio	P
Hobby Kennel	SP
Home-Based Business	P
Home-Based Day Care	SP
Home Office	P
Urban Agriculture (as noted below)	--
Apiculture	P
Aviculture	P
Commercial Farming	P
Residential Gardening	P
Vehicle Parking, Accessory (except as follows)	P
Home-Based Business Vehicle Parking	SP

P - Permitted SP - Special Permit Required N - Not Permitted

17. Development Standards

- a. General
 - i. DEVELOPMENT is subject to the provisions of Article 10: DEVELOPMENT Standards of this Ordinance. Where the provisions of this section conflict with those of Article 10, the provisions of Article 10 apply.
- b. SIGNS
 - i. A SIGN, individual numerals or letters, or a nonelectrical nameplate identifying the property address is required for all real property as follows:
 - a). Each GROUND STORY non-residential USE must identify the STREET address either on the PRINCIPAL ENTRANCE door or above or beside the PRINCIPAL ENTRANCE of the USE.
 - b). All residential BUILDING TYPES must identify the STREET address either on the PRINCIPAL ENTRANCE door, above or beside the PRINCIPAL ENTRANCE, or on a mailbox.
 - ii. Address SIGNS must be made easily visible through the USE of colors or materials that contrast with the background material they are attached to and must be conspicuously located to provide visibility from the THOROUGHFARE that the BUILDING faces.
 - iii. Address SIGNS must be twelve (12) inches or less in height and may include the name of the occupant.

3. RESIDENTIAL DISTRICTS

Neighborhood Residence (NR)

18. Parking & Mobility

- a. General
 - i. DEVELOPMENT is subject to the provisions of Article 11: Parking & Mobility of this Ordinance. Where the provisions of this section conflict with those of Article 11, the provisions of Article 11 apply.
 - ii. Vehicular parking must be provided as specified on Table 3.1.18, except as follows:
 - a). Non-residential USES with five thousand (5,000) square feet or less of GROSS LEASABLE FLOOR AREA are exempt from any minimum requirements of Table 3.1.18.
 - iii. There are no parking requirements for ACCESSORY USES.
 - iv. Parking may be shared between USES on the same LOT and buildings on the same BLOCK in accordance with §11.3 SHARED PARKING.
 - v. DEVELOPMENT outside of a TRANSIT AREA may count one (1) on STREET parking space for every twenty (20) feet of LOT WIDTH toward any minimum parking requirement if residential permit parking is permitted along the same side of the STREET as the LOT that the spaces will serve.
- b. Type
 - i. MOTOR VEHICLE PARKING may be provided as SURFACE PARKING spaces, above ground STRUCTURED PARKING, underground STRUCTURED PARKING, and on STREET parking spaces.
- c. Driveways
 - i. New driveways require a permit from the City Engineer in accordance with Chapter 11, Article II, Sec. 11-33 Driveway Construction of The Code of Ordinances, City of Somerville, Massachusetts.
 - ii. Driveways must be paved with paving stones, grass pavers, pervious concrete, or porous asphalt unless graded to direct runoff onto on-site permeable areas or granted a waiver by the City Engineer to mitigate adverse site conditions. Ribbon driveways are highly encouraged.
 - iii. Driveways are not permitted in the frontage area between a building and the front lot line.
 - iv. Driveways may be up to twelve (12) feet in width. See Figure 3.1.18.
 - v. Ribbon driveways must have paved tracks that are at least two (2) feet in width and five (5) feet on center with an unpaved area that is at least three (3) feet in width. Figure 3.1.18.
 - vi. Driveways may provide access in whole or in part on or across an abutting lot(s), provided that an access easement exists between all PROPERTY OWNERS.
 - vii. New driveways should accommodate at least two (2) motor vehicles for every one (1) ON-STREET PARKING SPACE that will be removed as a result of the new driveway.

Table 3.1.18 Vehicular Parking

Use Category Specific Use	BICYCLE		MOTOR VEHICLE	
	Short-Term (min)	Long-Term (min)	Within a TRANSIT AREA ¹ (min/max)	Outside of a TRANSIT AREA ¹ (min)
Arts & Creative Enterprise Uses				
All Permitted Uses	1.0 / 10,000 sf	1.0 / 3,000 sf	none	1.0 / 1,000 sf
Civic & Institutional				
Religious & Educational Uses Protected by M.G.L. 40A. Sec. 3	none	none	none	none
Lodging Uses				
Bed & Breakfast	none	2.0	none	1.0 / 4 rooms
Residential Uses				
All Permitted Uses	none	none	none	1.0 / DU
Retail Sales Uses				
All Permitted Uses	1.0 / 2,500 sf	1.0 / 10,000 sf	none	1.0 / 1,500 sf

sf - Gross Leasable Square Footage

DU - Dwelling Unit RU - Rooming Unit

¹ See the Transit Area Map

3. RESIDENTIAL DISTRICTS

Neighborhood Residence (NR)

- d. Parking Design
 - i. The design of all parking is subject to §11.1 Bicycle Parking and §11.2 MOTOR VEHICLE PARKING of this Ordinance.
 - ii. Tandem parking within the drive aisle of a driveway is permitted and is counted as two (2) parking spaces toward any minimum parking requirement.
- e. Parking Location
 - i. Motor vehicle parking within the drive aisle of a driveway is exempt from the parking setback required for each building type.
 - ii. Required vehicular parking, excluding any required handicapped parking, may be provided on a contiguous LOT under the same ownership as the LOT that the parking will serve as follows:
 - a). Pedestrian ACCESS to off-SITE vehicular parking must be via a paved sidewalk or walkway.
 - b). A lease, recorded covenant, or other comparable legal instrument guaranteeing long term USE of the SITE must be provided to the review board or BUILDING OFFICIAL and executed and filed with the Registry of Deeds.
 - iii. For real property located in more than one municipality, MOTOR VEHICLE PARKING need not be located within the City of Somerville.
- f. Unbundled Parking
 - i. MOTOR VEHICLE PARKING spaces must be rented or leased as an option rather than a requirement of the rental, lease, or purchase of a DWELLING UNIT or non-residential floor space.
- ii. Bicycle parking must be provided at no cost or fee to customers, visitors, employees, tenants, and residents.
- g. Parking Relief
 - i. Relief from the parking standards of Table 3.1.18 requires a Special Permit.
 - a). In addition to the review criteria for all Special Permits specified in §15.2.1.e. Review Criteria, the review board shall make findings considering the following in its discretion to approve or deny a special permit authorizing relief from the parking standards of Table 3.1.18:
 - i). The supply and demand of on-STREET parking in the neighborhood, as determined through a parking study.
 - ii). MOBILITY MANAGEMENT programs and services provided by the APPLICANT to reduce the demand for parking.
 - iii). That parking provided in excess of any maximum permitted does not result in the increase in impervious LOT AREA.

19. Public Realm

- a. Sidewalk CURB CUTS
 - i. A CURB CUT requires a permit from the City Engineer and must be compliant with all City Ordinances.
 - ii. Unless otherwise specified, the City Engineer may

Figure 3.1.18 Driveway Dimensions

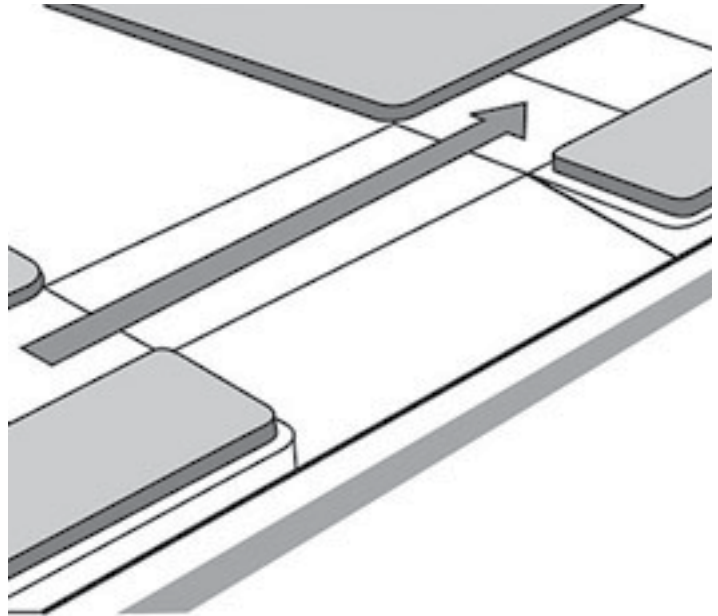
3. RESIDENTIAL DISTRICTS

Neighborhood Residence (NR)

not permit more than one (1) CURB CUT per FRONT LOT LINE of a LOT.

- iii. CURB CUTS are prohibited along all THOROUGHFARES designated as a PEDESTRIAN STREET.
- iv. CURB CUTS must be located to minimize conflicts with pedestrians and bicyclists and must have a clear distance from fire hydrants, STREET TREES, utility poles, and other furnishings as deemed necessary by the City Engineer.
 - a). CURB CUTS for commercial or high-volume driveways should be at least one-hundred (100) feet from an UNSIGNALIZED or SIGNALIZED intersection.
 - b). CURB CUTS for residential driveways should be at least twenty (20) feet from an UNSIGNALIZED intersection and at least forty (40) feet from a SIGNALIZED intersection.
- v. The interior width of a CURB CUT (between curb stones) may be no wider than the driveway, vehicular entrance, or loading facility it serves.
- vi. A DRIVEWAY APRON may be installed only within the furnishing zone of a sidewalk and must be constructed in accordance with all standards established by relevant City Departments.
- vii. The grade, cross slope, and clear width of the walkway of a sidewalk must be maintained between the DRIVEWAY APRON and the ABUTTING driveway. The appearance of the walkway (ie. scoring pattern or paving material) must indicate that, although a vehicle may cross, the area traversed by a vehicle remains part of the sidewalk.

Figure 3.1.19 Sidewalk Curb Cuts



3.2 URBAN RESIDENCE (UR)

1. Character Description

The Urban Residence district is characterized by a variety of moderate FLOOR PLATE, multi-unit buildings where outdoor AMENITY SPACE is typically shared between the residents of a BUILDING. The district is almost entirely residential, with occasional neighborhood stores, schools, places of worship, and arts related uses on advantageous sites. This district can provide a transition between Neighborhood Residence and the Mid-Rise, HIGH-RISE, and Commercial Districts when mapped accordingly.



3. RESIDENTIAL DISTRICTS

Urban Residence (UR)

2. Intent

- a. To implement the objectives of the COMPREHENSIVE PLAN of the City of Somerville.
- b. To create, maintain, and enhance areas appropriate for multi-unit residential buildings.

3. Purpose

- a. To permit the DEVELOPMENT of multi-unit detached and semi-detached residential buildings on individual LOTS.
- b. To permit contextual MODIFICATIONS to existing detached and semi-detached residential buildings.
- c. To permit the adaptive REUSE of certain existing nonconforming buildings for arts & creative enterprise and retail USES compatible with residential areas.
- d. To create DWELLING UNIT_types, sizes, and BEDROOM_counts ideal for both large and small households in permitted BUILDING TYPES.
- e. To permit increased residential density for apartment buildings meeting the definition of a NET ZERO READY BUILDING or 100% AFFORDABLE HOUSING.

4. Applicability

- a. The section is applicable to all real property within the Urban Residence district as shown on the maps of the Official Zoning Atlas of the City of Somerville.

5. Development Review

- a. DEVELOPMENT review is subject to the provisions of Article 15: Administration of this Ordinance.
- b. All DEVELOPMENT, excluding NORMAL MAINTENANCE, requires the submittal of a development review application to the BUILDING OFFICIAL and the issuance of a Certificate of Zoning Compliance prior to the issuance of a BUILDING Permit or Certificate of Occupancy.
- c. A pre-submittal meeting, in accordance with Article 15: Administration is recommended for all DEVELOPMENT.
- d. Proposed DEVELOPMENT may or may not necessitate the need for Subdivision Plan Approval, Site Plan Approval, a Special Permit, or a Hardship Variance based on the nature of the proposal. In such cases, additional DEVELOPMENT review is required in accordance with Article 15: Administration.
 - i. The Zoning Board of Appeals is the decision making authority for all DEVELOPMENT that requires a Special Permit or Hardship Variance in the Urban Residence district.
- e. Upon verification that no additional DEVELOPMENT review is necessary, or completion of the required DEVELOPMENT review, the BUILDING OFFICIAL shall issue a Zoning Compliance Certificate to certify compliance with the provisions and procedures of this Ordinance.

6. Building Types

- a. One (1) PRINCIPAL BUILDING TYPE is permitted on each LOT.
- b. The following PRINCIPAL BUILDING TYPES are permitted in the Urban Residence district:
 - i. Semi-Detached Triple Decker
 - ii. Multi-Plex
 - iii. Apartment House
 - iv. Apartment Building
 - v. Row Houses
- c. ACCESSORY STRUCTURES are regulated according to Article 10: DEVELOPMENT Standards of this Ordinance.

3. RESIDENTIAL DISTRICTS

Urban Residence (UR)

3.2.7 Semi-Detached Triple Decker

A moderate FLOOR PLATE, semi-detached, PRINCIPAL BUILDING TYPE with three vertically stacked DWELLING UNITS. A semi-detached triple DECKER must be attached on one side to another semi-detached triple DECKER by a PARTY WALL.

The following images are examples from Somerville of the semi-detached triple DECKER BUILDING TYPE and are intended only for illustrative purposes.

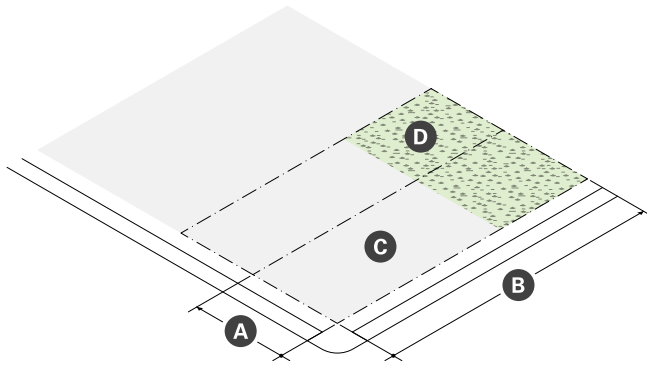


3. RESIDENTIAL DISTRICTS

Urban Residence (UR)

3.2.7. Semi-Detached Triple Decker (continued)

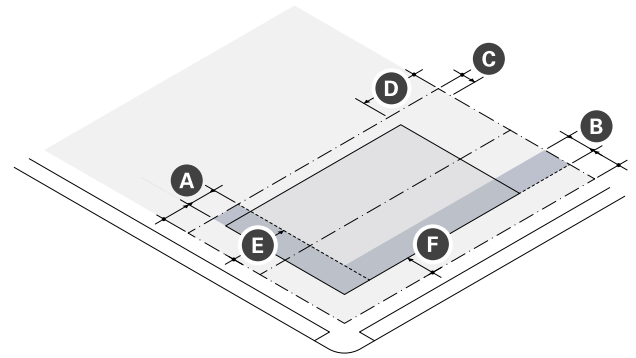
a. Lot Standards



Lot Dimensions	
A LOT WIDTH (min)	--
No Driveway ACCESS	29 ft
Side or Rear Driveway ACCESS	29 ft
Front Driveway ACCESS	32 ft
B LOT DEPTH (min)	80 ft

Lot Development	
C LOT COVERAGE (max)	65%
D GREEN SCORE	--
Minimum	0.35
Ideal	0.40

b. BUILDING Placement



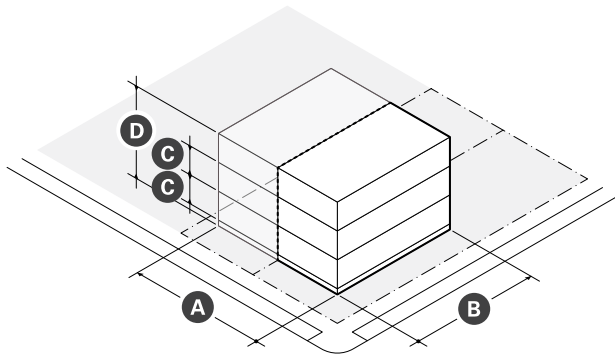
Building Setbacks		
A Primary Front SETBACK ¹ (min/max)	10 ft	20 ft
B Secondary Front SETBACK ¹ (min/max)	10 ft	20 ft
C Side SETBACK (min)		
PARTY LOT LINE	0 ft	
SIDE LOT LINE	5 ft	
D Rear SETBACK (min)	20 ft	

Parking Setbacks	
E Primary Front SETBACK (min)	20 ft
F Secondary Front SETBACK (min)	10 ft

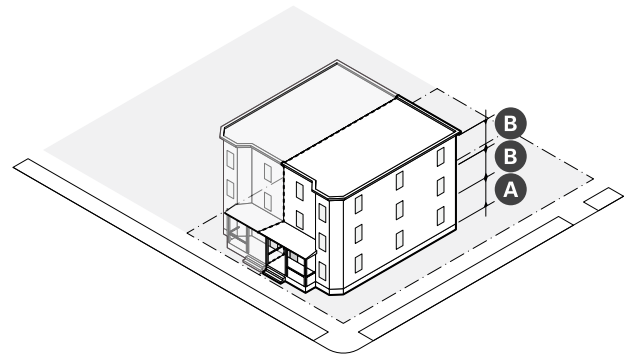
¹ See §3.2.13.a Contextual Front SETBACKS

3.2.7. Semi-Detached Triple Decker (continued)

c. Massing & Height



d. Uses & Features



Main Mass	
FACADE Build Out (min)	60%
A Width (min/max)	24 ft 30 ft
B Depth (min/max)	36 ft 50 ft
GROUND STORY Elevation (min)	2 ft
C STORY Height (min/max)	10 ft 12 ft
D Number of Stories (max)	3 stories
Roof Type	Flat

Facade Composition		
A GROUND STORY FENESTRATION (min/max)	15%	50%
B UPPER STORY FENESTRATION (min/max)	15%	50%

Use & Occupancy	
DWELLING UNITS (max)	3
OUTDOOR AMENITY SPACE (min)	1/ DU

3. RESIDENTIAL DISTRICTS

Urban Residence (UR)

3.2.7. Semi-Detached Triple Decker (continued)

- e. Housing
 - i. Multiple DWELLING UNITS within a semi-detached triple DECKER must be, generally, stacked one over the other. Common examples are shown in Figure 3.2.7. Dwelling units that are side-by-side or front-to-back in orientation are not permitted.
- f. Development Benefits
 - i. Development is subject to the provisions of Article 12: Development Benefits of this Ordinance. Where the provisions of this section conflict with those of Article 12, the provisions of Article 12 apply.
 - ii. Development of a detached triple decker must provide affordable dwelling units as specified on Table 3.1.11.
 - iii. Required ADUs must be priced as a Tier 3 ADU.

Table 3.2.7 Required ADUs

Dwelling Units per Lot	Required ADUs
0 to 2 units	None
3 units	1 unit

Figure 3.2.7 DU Orientation Examples

3. RESIDENTIAL DISTRICTS

Urban Residence (UR)

3.2.8 Multi-Plex

A moderate FLOOR PLATE, detached, PRINCIPAL BUILDING TYPE with four to six DWELLING UNITS.

The following images are examples from Somerville of the multi-plex BUILDING TYPE and are intended only for illustrative purposes.

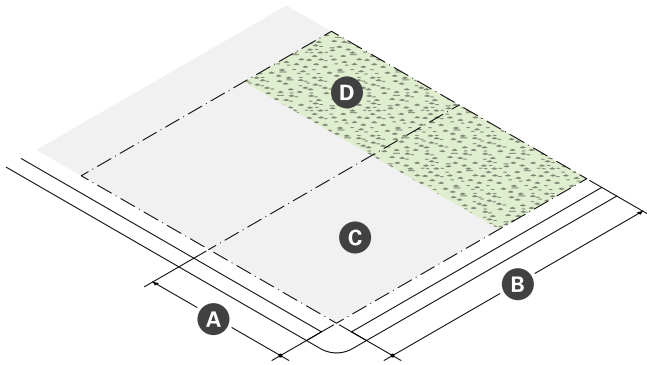


3. RESIDENTIAL DISTRICTS

Urban Residence (UR)

3.2.8. Multi-Plex (continued)

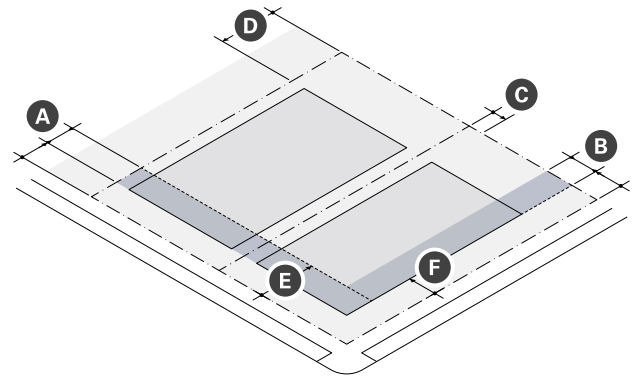
a. LOT Standards



Lot Dimensions	
A LOT WIDTH (min)	--
No Driveway ACCESS	46 ft
Side or Rear Driveway ACCESS	46 ft
Front Driveway ACCESS	49 ft
B LOT DEPTH (min)	85 ft

Lot Development	
C LOT COVERAGE (max)	65%
D GREEN SCORE	--
Minimum	0.35
Ideal	0.40

b. BUILDING Placement



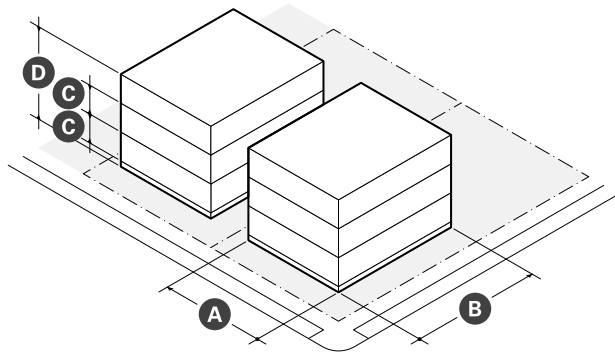
Building Setbacks		
A Primary Front SETBACK ¹ (min/max)	10 ft	20 ft
B Secondary Front SETBACK ¹ (min/max)	10 ft	20 ft
C Side SETBACK (min)	5 ft	
D Rear SETBACK (min)	20 ft	

Parking Setbacks	
E Primary Front SETBACK (min)	20 ft
F Secondary Front SETBACK (min)	10 ft

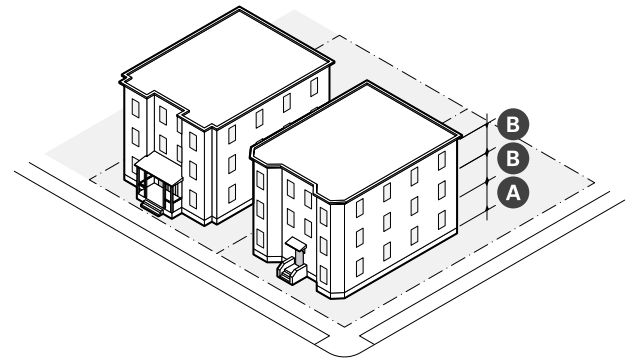
¹ See §3.2.13.a Contextual Front SETBACKS

3.2.8. Multi-Plex (continued)

c. Massing & Height



d. Uses & Features



Main Mass	
FAÇADE Build Out (min)	70%
A Width (min/max)	36 ft 50 ft
B Depth (min/max)	44 ft 64 ft
GROUND STORY Elevation (min)	2 ft
C STORY Height (min/max)	10 ft 12 ft
D Number of Stories (max)	3 stories
Roof Type	Flat, GABLE, HIP

Facade Composition	
A GROUND STORY FENESTRATION (min/max)	15% 50%
B UPPER STORY FENESTRATION (min/max)	15% 50%

Use & Occupancy	
DWELLING UNITS (min/max)	4 6
Outdoor AMENITY SPACE (min)	1/ DU

3. RESIDENTIAL DISTRICTS

Urban Residence (UR)

3.2.8. Multi-Plex (continued)

- e. Housing
 - i. The DWELLING UNITS of a multi-plex must be, generally, stacked one over the other. Common examples are shown in Figure 3.2.8. DWELLING UNITS that are front-to-back in orientation are not permitted.
- f. Development Benefits
 - i. Development of an apartment building is subject to the provisions of Article 12: Development Benefits of this Ordinance. Where the provisions of this section conflict with those of Article 12, the provisions of Article 12 apply.
 - ii. Development of a general building must provide affordable dwelling units as specified on Table 3.2.8.

Table 3.2.8 Required ADUs

Total Dwelling Units	Required ADUs
4 to 6 units	20% of units

Figure 3.2.8 DU Orientation Examples

3.2.9 Apartment House

A moderate FLOOR PLATE, detached, PRINCIPAL BUILDING TYPE with six to ten DWELLING UNITS designed to appear as a large HOUSE.

The following images are primarily examples from Somerville of the apartment house BUILDING TYPE and are intended only for illustrative purposes.

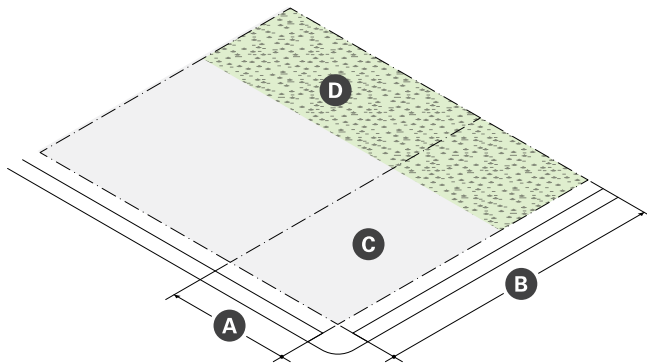


3. RESIDENTIAL DISTRICTS

Urban Residence (UR)

3.2.9 Apartment House (continued)

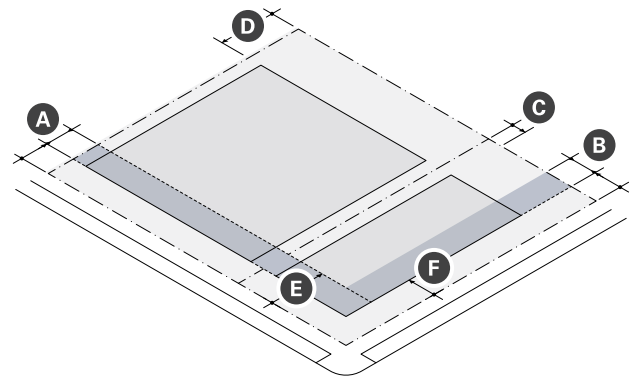
a. LOT Standards



Lot Dimensions	
A LOT WIDTH (min)	--
No Driveway ACCESS	38 ft
Side or Rear Driveway ACCESS	38 ft
Front Driveway ACCESS	41 ft
B LOT DEPTH (min)	100 ft

Lot Development	
C LOT COVERAGE (max)	65%
D GREEN SCORE	--
Minimum	0.35
Ideal	0.40

b. BUILDING Placement



Building Setbacks		
A Primary Front SETBACK ¹ (min/max)	10 ft	20 ft
B Secondary Front SETBACK ¹ (min/max)	10 ft	20 ft
C Side SETBACK (min)	5 ft	
D Rear SETBACK (min)	20 ft	

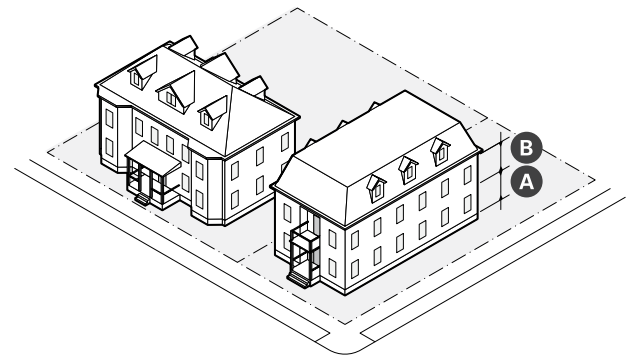
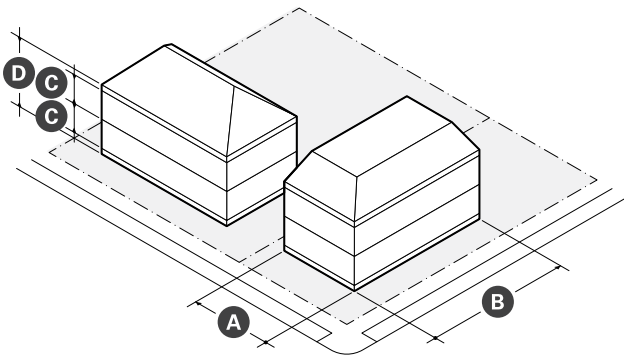
Parking Setbacks	
E Primary Front SETBACK (min)	20 ft
F Secondary Front SETBACK (min)	10 ft

¹ See §3.2.13.a Contextual Front SETBACKS

3.2.9 Apartment House (continued)

c. Massing & Height

d. Uses & Features



Main Mass	
FACADE Build Out (min)	70%
A Width (min/max)	28 ft 56 ft
B Depth (min/max)	44 ft 68 ft
GROUND STORY Elevation (min)	2 ft
C STORY Height (min/max)	10 ft 12 ft
D Number of Stories (max)	2.5 stories
Roof Type	GABLE, HIP, MANSARD

Facade Composition		
A GROUND STORY FENESTRATION (min/max)	15%	50%
B UPPER STORY FENESTRATION (min/max)	15%	50%

Use & Occupancy		
DWELLING UNITS (min/max)	4	10
Outdoor AMENITY SPACE (min)	1/ DU	

3. RESIDENTIAL DISTRICTS

Urban Residence (UR)

3.2.9 Apartment House (continued)

- e. Housing
 - i. Reserved
- f. DEVELOPMENT Benefits
 - i. DEVELOPMENT is subject to the provisions of Article 12: DEVELOPMENT Benefits of this Ordinance. Where the provisions of this section conflict with those of Article 12, the provisions of Article 12 apply.
 - ii. DEVELOPMENT of an apartment house must provide AFFORDABLE DWELLING UNITS as specified on Table 3.2.9.

Table 3.2.9 Required ADUs

Total Dwelling Units	Required ADUs
4 to 10 units	20% of units

3. RESIDENTIAL DISTRICTS

Urban Residence (UR)

3.2.10 Apartment Building

A moderate FLOOR PLATE, multi-STORY PRINCIPAL BUILDING TYPE with multiple DWELLING UNITS primarily ACCESSED from a single PRINCIPAL ENTRANCE and interior hallway or stairway.

The following images are examples of the apartment BUILDING TYPE and are intended only for illustrative purposes.

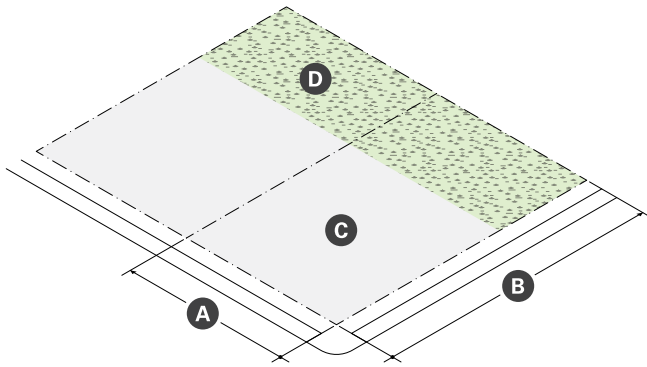


3. RESIDENTIAL DISTRICTS

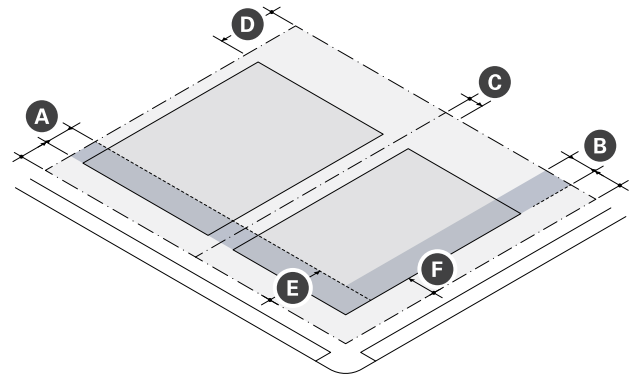
Urban Residence (UR)

3.2.10 Apartment Building (continued)

a. LOT Standards



b. BUILDING Placement



Lot Dimensions	
A LOT WIDTH (min)	--
No Driveway ACCESS	55 ft
Side or Rear Driveway ACCESS	55 ft
Front Driveway ACCESS	58 ft
B LOT DEPTH (min)	90 ft

Lot Development	
C LOT COVERAGE (max)	65%
D GREEN SCORE	--
Minimum	0.35
Ideal	0.40

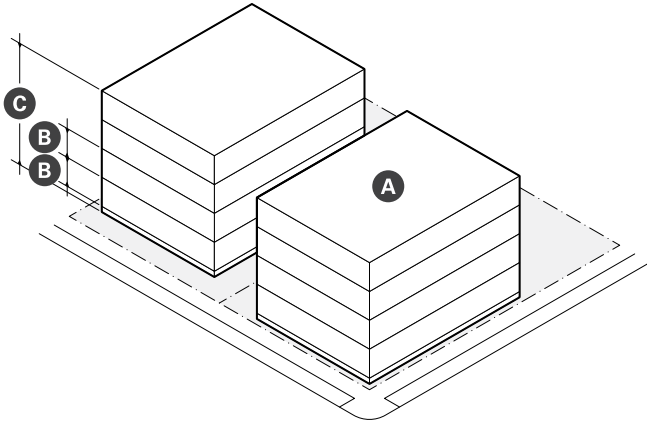
Building Setbacks		
A Primary Front SETBACK ¹ (min/max)	10 ft	20 ft
B Secondary Front SETBACK ¹ (min/max)	10 ft	20 ft
C Side SETBACK (min)	5 ft	
Side SETBACK ABUTTING NR (min)	20 ft	
D Rear SETBACK (min)	10 ft	
Rear SETBACK ABUTTING NR (min)	20 ft	

Parking Setbacks		
E Primary Front SETBACK (min)	--	
SURFACE PARKING	20 ft	
STRUCTURED PARKING	20 ft	
F Secondary Front SETBACK (min)	--	
SURFACE PARKING	10 ft	
STRUCTURED PARKING	10 ft	

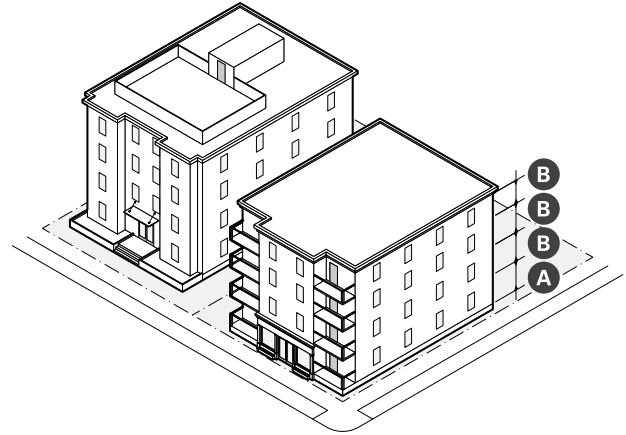
¹ See §3.2.13.a Contextual Front SETBACKS

3.2.10 Apartment Building (continued)

c. Massing & Height



d. Uses & Features



Main Mass	
FACADE Build Out (min)	80%
A FLOOR PLATE (max)	--
with FORECOURT	16,000 sf
without a FORECOURT	7,000 sf
GROUND STORY Elevation (min)	2 ft
B STORY Height (min/max)	10 ft 12 ft
C Number of Stories (min)	2 4
Roof Type	Flat, MANSARD

Facade Composition		
A GROUND STORY FENESTRATION (min/max)	15%	50%
B UPPER STORY FENESTRATION (min/max)	15%	50%

Use & Occupancy	
GROSS FLOOR AREA per DU (min)	--
LOT AREA < 5,000 sf	1,500
LOT AREA >= 5,000 sf	1,125
100% AFFORDABLE HOUSING	875
NET ZERO READY BUILDING	875
Outdoor AMENITY SPACE (min)	1/DU

3. RESIDENTIAL DISTRICTS

Urban Residence (UR)

3.2.10 Apartment Building (continued)

- e. Housing
 - i. Reserved
- f. DEVELOPMENT Benefits
 - i. DEVELOPMENT is subject to the provisions of Article 12: DEVELOPMENT Benefits of this Ordinance. Where the provisions of this section conflict with those of Article 12, the provisions of Article 12 apply.
 - ii. DEVELOPMENT of an apartment building must provide AFFORDABLE DWELLING UNITS as specified on Table 3.2.10.

Table 3.2.10 Required ADUs

Total Dwelling Units	Required ADUs
0 to 3 units	None
4 or more units	20% of units

3. RESIDENTIAL DISTRICTS

Urban Residence (UR)

3.2.11 Row Houses

A moderate floor plate, multi-STORY, PRINCIPAL BUILDING TYPE designed as series of three (3) or more small FLOOR PLATE, attached, residential buildings, each with one (1) DWELLING UNIT.

The following images are examples from Somerville of the row houses BUILDING TYPE and are intended only for illustrative purposes.

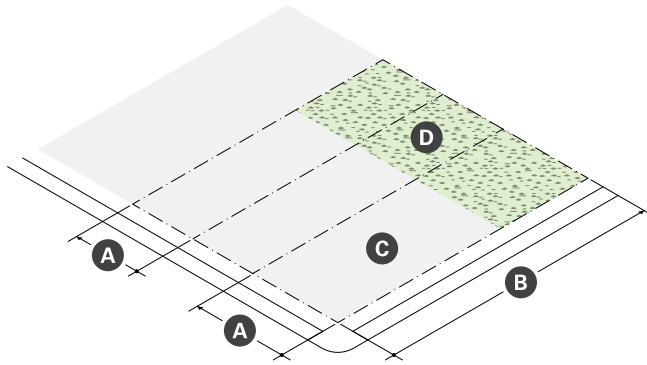


3. RESIDENTIAL DISTRICTS

Urban Residence (UR)

3.2.11 Row Houses (continued)

a. LOT Standards

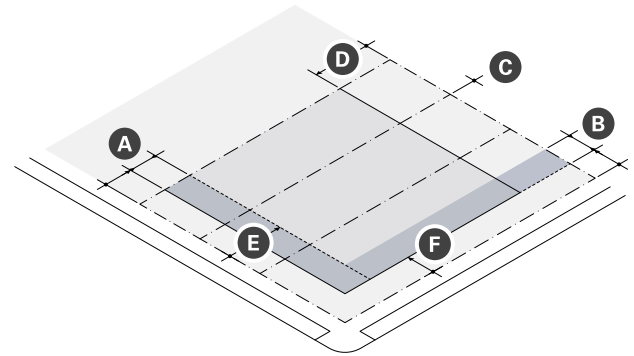


SITE Dimensions	
Width (min)	106 ft

Lot Dimensions	
A LOT WIDTH (min)	--
INTERIOR LOT in Sequence	--
No Driveway ACCESS	24 ft
End LOT in Sequence	--
No Driveway ACCESS	29 ft
Side or Rear Driveway ACCESS	29 ft
Front Driveway ACCESS	32 ft
B LOT DEPTH (min)	80 ft

Lot Development	
C LOT Coverage (max)	65%
D GREEN SCORE	--
Minimum	0.35
Ideal	0.40

b. BUILDING Placement



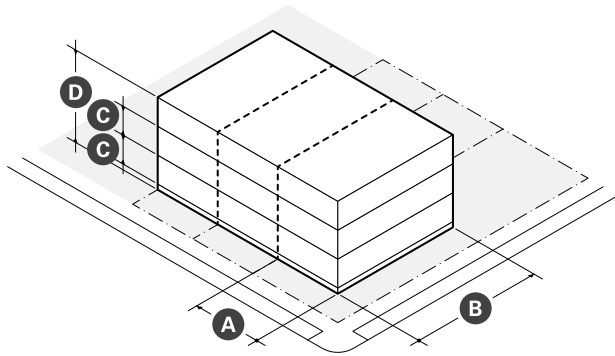
Building Setbacks		
A Primary Front SETBACK ¹ (min/max)	10 ft	20 ft
B Secondary Front SETBACK ¹ (min/max)	10 ft	20 ft
C Side SETBACK (min)	5 ft	
PARTY LOT LINE	0 ft	
SIDE LOT LINE	5 ft	
D Rear SETBACK (min)	20 ft	

Parking Setbacks		
E Primary Front SETBACK (min)	20 ft	
F Secondary Front SETBACK (min)	10 ft	

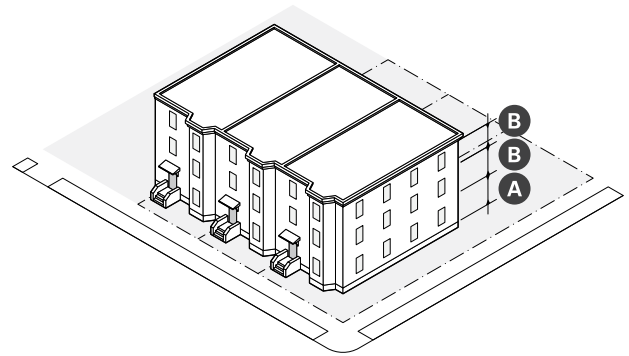
¹ See §3.2.13.a Contextual Front SETBACKS

3.2.11 Row Houses (continued)

c. Massing & Height



d. Uses & Features



Main Mass	
FACADE Build Out (min)	70%
A Width per Row house (min/max)	24 ft 30 ft
B Depth (min/max)	34 ft 60 ft
Row houses in Sequence (min/max)	4 10
GROUND STORY Elevation (min)	2 ft
C STORY Height (min/max)	10 ft 12 ft
D Number of Stories (min)	2 stories
Roof Type	Flat, GABLE, MANSARD

Facade Composition		
A GROUND STORY FENESTRATION (min/max)	15%	50%
B UPPER STORY FENESTRATION (min/max)	15%	50%

Use & Occupancy		
DWELLING UNITS per SITE (min/max)	4	10
DWELLING UNITS per Row House (max)	1	
Outdoor AMENITY SPACE (min)	1/ DU	

3. RESIDENTIAL DISTRICTS

Urban Residence (UR)

3.2.11 Row Houses (continued)

- e. Housing
 - i. Reserved
- f. DEVELOPMENT Benefits
 - i. DEVELOPMENT is subject to the provisions of Article 12: DEVELOPMENT Benefits of this Ordinance. Where the provisions of this section conflict with those of Article 12, the provisions of Article 12 apply.
 - ii. DEVELOPMENT of row HOUSES must provide AFFORDABLE DWELLING UNITS as specified on Table 3.2.11.

Table 3.2.11 Required ADUs

Total Dwelling Units	Required ADUs
4 to 10 units	20% of units

12. Building Components

- a. BUILDING COMPONENTS are ACCESSORY elements attached to the main mass of a PRINCIPAL BUILDING.
- b. BUILDING COMPONENTS are permitted as specified on Table 3.2.12.
- c. BUILDING COMPONENTS not identified on Table 3.2.12 are prohibited.
- d. Unless otherwise specified, BUILDING COMPONENTS may attach to other BUILDING COMPONENTS to create assemblies of components.

Table 3.2.12 Building Components

	Semi-Detached Triple Decker	Multi-Plex	Apartment House	Apartment Building	Row houses
Entry Canopy	P	P	P	P	P
Stoop	P	P	P	P	P
Portico	P	P	P	P	P
Projecting Porch	P	P	P	P	P
Lobby Entrance	N	N	N	P	N
Bay	P	P	P	P	P
Balcony	N	P	P	P	P
Dormer	N	Y	Y	N	Y
Shed Dormer	N	Y	Y	N	N
Cross GABLE	N	Y	Y	N	N

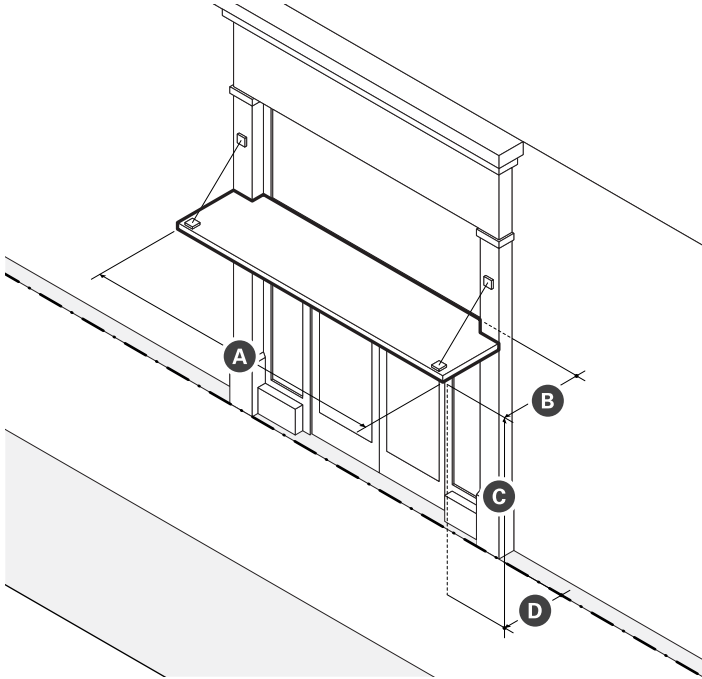
P - Permitted SP - Special Permit Required N - Not Permitted

3. RESIDENTIAL DISTRICTS

Urban Residence (UR)

e. Entry Canopy

- i. An entry canopy is a wall-mounted STRUCTURE that provides shade and weather protection over the entrance of a BUILDING.

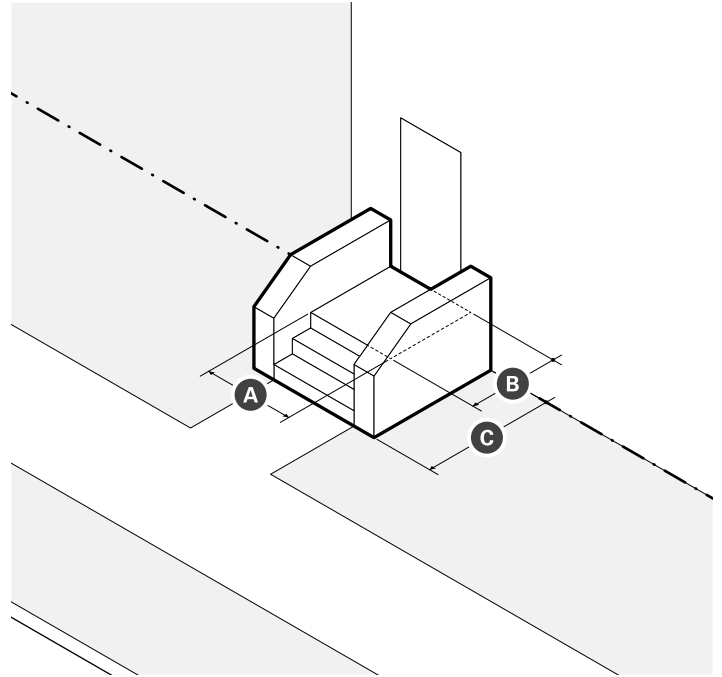


Dimensions	
A Width (min)	See ii. Standards
B Depth (max)	3 ft
C CLEARANCE (min)	8 ft clear
D SETBACK ENCROACHMENT (max)	–
Front	100%
Side	0 ft
Rear	0 ft

- ii. Standards
 - a). Entry canopies must be visually supported by brackets, cables, or rods.
 - b). The width of an entry canopy must be equal to or greater than the width of the doorway surround or exterior casing it is mounted over.

f. Stoop

- i. A stoop is a frontage type featuring a set of stairs with a landing leading to the entrance of a BUILDING.

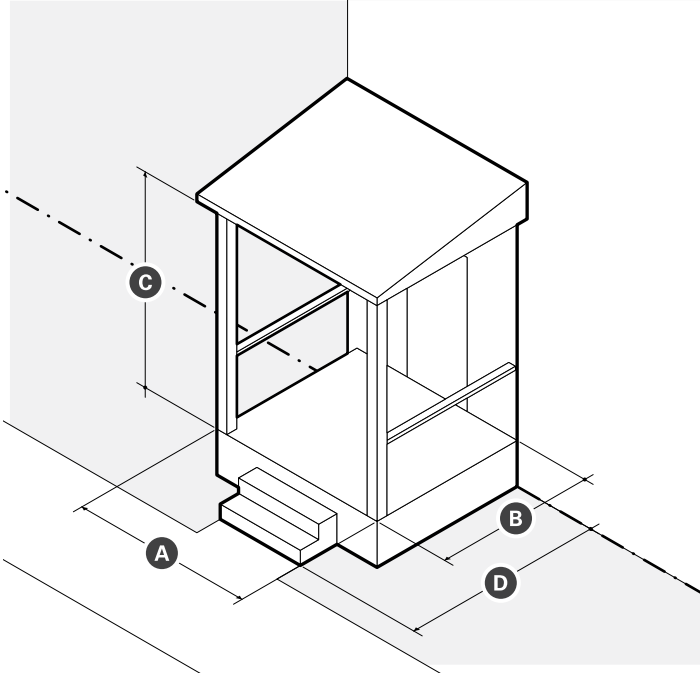


Dimensions	
A Landing Width (min)	4 ft
B Landing Depth (min)	4 ft
C SETBACK ENCROACHMENT (max)	–
Front	100%
Side	0 ft
Rear	0 ft

- ii. Standards
 - a). Stairs may be recessed into the BUILDING FACADE when the BUILDING is set back four (4) feet or less.
 - b). Stairs are not permitted to ENCROACH onto any ABUTTING sidewalk.
 - c). Stairs may be built perpendicular or parallel to the BUILDING FACADE, but must lead directly to ground level or an ABUTTING sidewalk.

g. Portico

- i. A portico is a frontage type featuring a set of stairs with a landing leading to the entrance of a BUILDING and a roof supported by columns, PIERS, or posts.

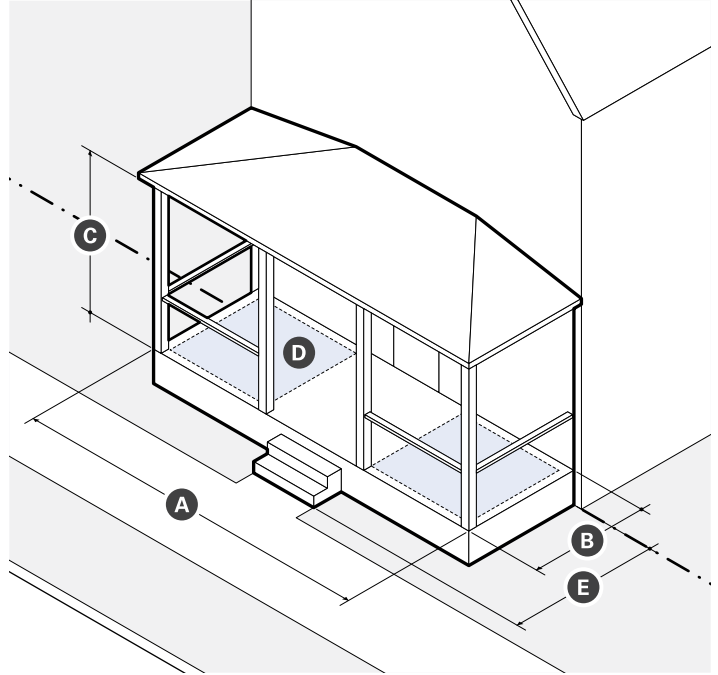


Dimensions	
A Landing Width (min)	4 ft
B Landing Depth (max)	4 ft
C CLEARANCE (max)	8 ft
D SETBACK ENCROACHMENT (max)	--
Front	100%
Side	0 ft
Rear	0 ft

- ii. Standards
 - a). Stairs are not permitted to ENCROACH onto any ABUTTING sidewalk.
 - b). Stairs may be built perpendicular or parallel to the BUILDING FACADE, but must lead directly to ground level or an ABUTTING sidewalk.

h. Projecting Porch

- i. A projecting porch is a frontage type featuring a set of stairs with a landing leading to the entrance of a BUILDING and a roof supported by columns, PIERS, or posts.



Dimensions	
A Width (min)	12 ft
B Depth (min)	6 ft
C CLEARANCE (min)	8 ft
D FURNITURE AREA, Clear (min)	6 ft x 6 ft
E SETBACK ENCROACHMENT (max)	--
Front	100%
Side	0 ft
Rear	0 ft

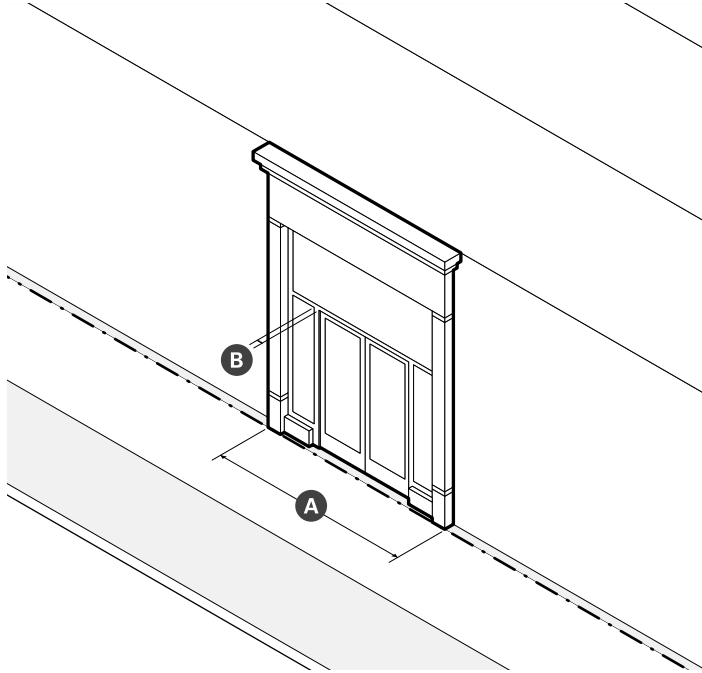
- ii. Standards
 - a). Stairs are not permitted to ENCROACH onto any ABUTTING sidewalk.
 - b). Porch railings must permit visual supervision of the PUBLIC REALM through the posts and rails.
 - c). A porch may be screened provided the percentage of window area to wall area is seventy percent (70%) or greater. Permanent enclosure of a porch to create year-round living space is not permitted.
 - d). Porches projecting from upper stories are not required to provide stairs and the upper most porch is not required to have a roof.

3. RESIDENTIAL DISTRICTS

Urban Residence (UR)

i. Lobby Entrance

- i. A lobby entrance frontage type featuring an at-grade PRINCIPAL ENTRANCE providing ACCESS TO UPPER STORY USES of a BUILDING.

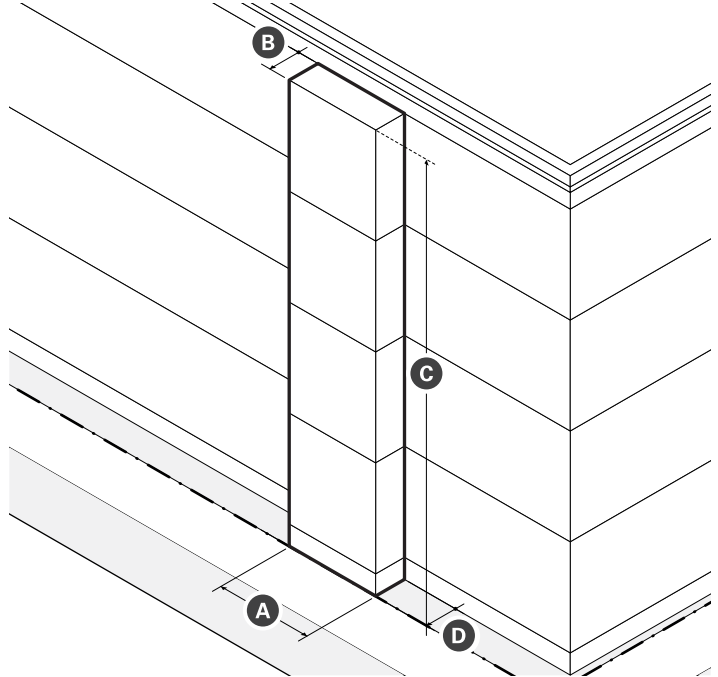


Dimensions	
A Width (max)	30 ft
B Recessed Entrance Width (max)	15 ft
Recessed Entrance Depth (max)	5 ft

- ii. Standards
 - a). Lobby entrances must be well-defined, clearly visible, and universally ACCESSIBLE from the ABUTTING sidewalk.
 - b). Lobby entrances should be made clearly identifiable using a difference in design from the rest of the FACADE.
 - c). Lobby entrances must include an awning or entry canopy above the PRINCIPAL ENTRANCE to provide weather protection.
 - d). When a lobby entrance is set back from the FRONT LOT LINE, the frontage must be paved to match the ABUTTING sidewalk.

j. Bay Window

- i. A bay window is an assembly of windows projecting from a building to provide additional HABITABLE space, increased light, multi-directional views, and ARTICULATION to an exterior wall.

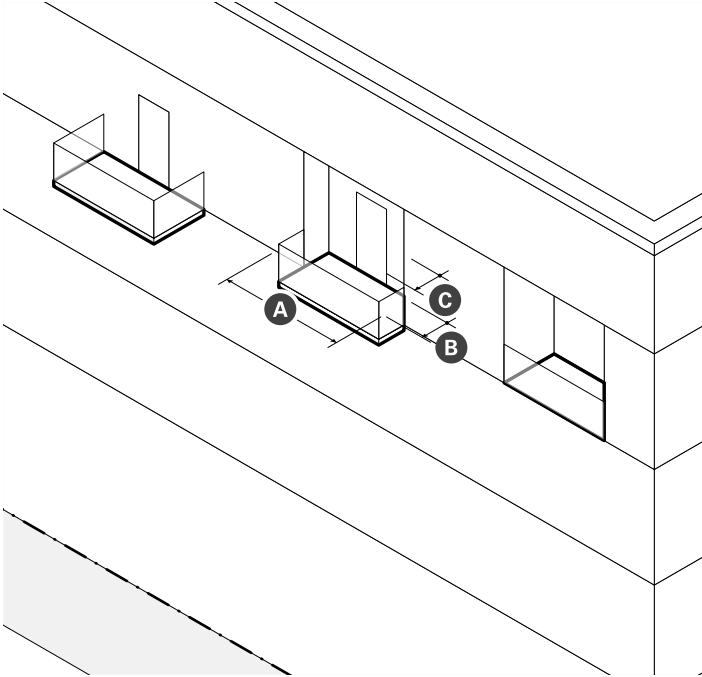


Dimensions	
A Width (max)	16 ft
B Projection (max)	3 ft
C Height (max)	Height of BUILDING in Stories
D SETBACK ENCROACHMENT (max)	–
Front	3 ft
Side	0 ft
Rear	0 ft

- ii. Standards
 - a). Bay windows, including box and bow windows, must include at least three (3) windows.
 - b). The cumulative width of multiple bays may equal up to fifty percent (50%) of the width of the exterior wall from which the bays project.
 - c). Bays projecting over the sidewalk of a public THOROUGHFARE must have at least two (2) stories of CLEARANCE and be compliant with all City Ordinances.

k. Balcony

- i. A balcony is a platform with a railing that provides outdoor AMENITY SPACE.

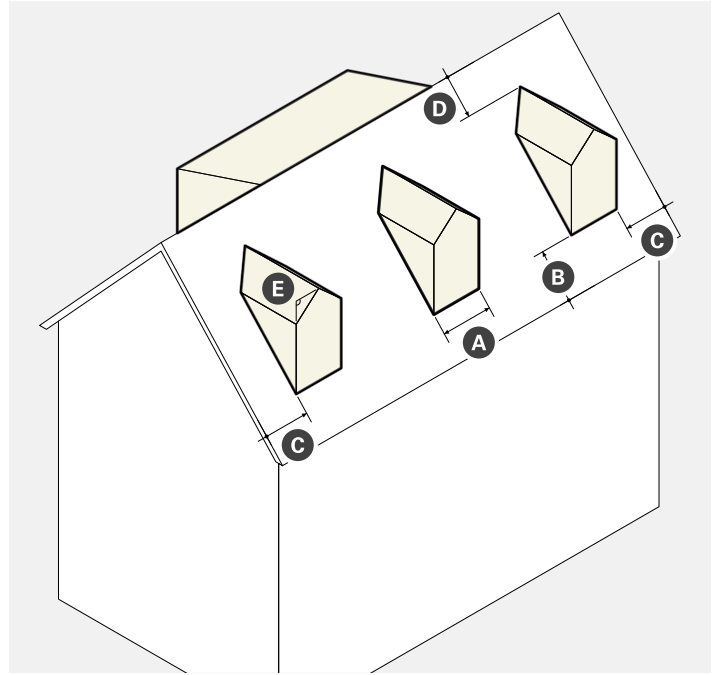


Dimensions	
A Width (min)	5 ft
B Depth (min)	5 ft
Area (min)	50 sf
CLEARANCE (min)	10 ft
C SETBACK ENCROACHMENT (max)	–
Front	100%
Side	0 ft
Rear	0 ft

- ii. Standards
 - a). Balconies may be recessed, projecting, a combination of the two, or terraced as part of the roof of a portico, porch, or bay.
 - b). Balconies that project over any public sidewalk requires compliance with all City Ordinances.
 - c). Front balconies must permit visual supervision of the PUBLIC REALM through the posts and rails. Side and rear balconies ABUTTING the NR district must include sight-obscuring visual screening so that it is at least fifty percent (50%) opaque.

l. Dormer

- i. A dormer is a window space with a GABLE, HIP, or arched roof that projects perpendicularly from a pitched roof below. Dormer windows provide light to the HABITABLE space of a half-STORY.



Dimensions	
A Width (max)	window(s) width + 18 in
Side Wall SETBACK (min)	–
Roof with eave	0 ft
Roof without eave	1 ft
B Front & Rear Wall SETBACK (min)	3 ft
C Ridge SETBACK (min)	1 ft
D Roof Slope (min)	4:12 (18.43°)
E Dormer Separation (min)	50% of dormer width

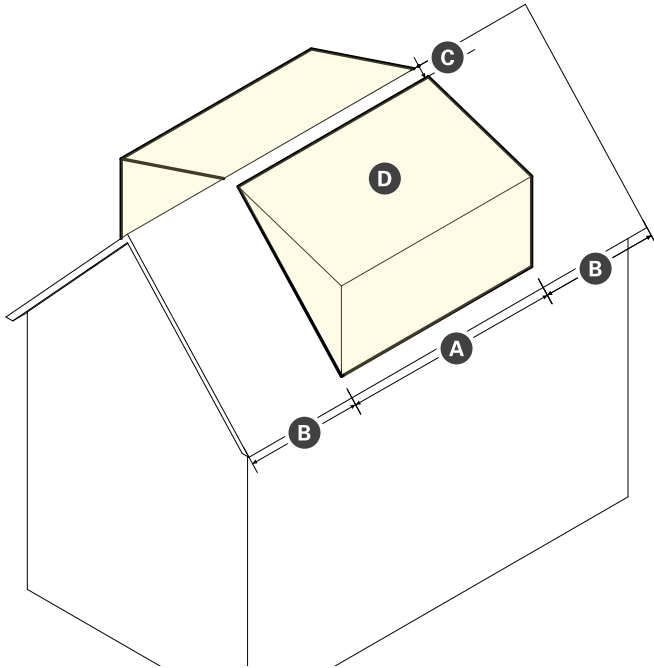
- ii. Standards
 - a). The face wall of a dormer window may not project beyond the exterior wall of the BUILDING and may not interrupt the eave of the roof.
 - b). Dormer windows may be combined with a shed dormer(s) to create a Nantucket dormer.
 - c). The cumulative width of a single, multiple, or attached combinations of dormers may equal up to fifty percent (50%) of the eave length of the roof below.

3. RESIDENTIAL DISTRICTS

Urban Residence (UR)

m. Shed Dormer

- i. A shed dormer is window space with a shed roof that projects perpendicularly from a pitched roof below. Shed dormers provide light and additional HABITABLE space to a half-STORY.

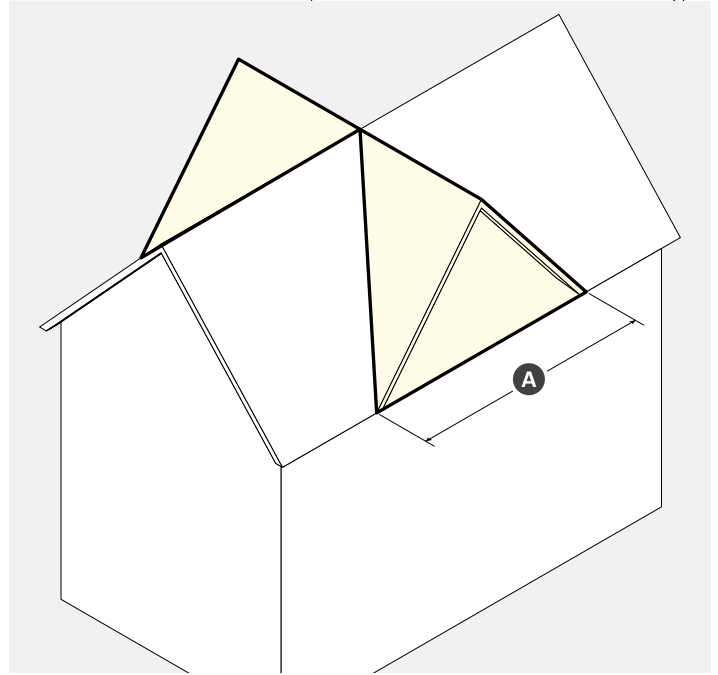


Dimensions	
A Width (max)	window(s) width + 36 in
Side Wall SETBACK (min)	–
Roof with eave	0 ft
Roof without eave	1 ft
B Front & Rear Wall SETBACK (min)	3 ft
C Ridge SETBACK (min)	1 ft
D Roof Slope (min)	4:12 (18.43°)
E Dormer Separation (min)	50% of dormer width

- ii. Standards
 - a). The face wall of a shed dormer may not project beyond the exterior wall of the BUILDING and may not interrupt the eave of the roof.
 - b). Cheek wall windows are permitted.
 - c). Shed dormers may be combined with a dormer window(s) to create a Nantucket dormer.
 - d). The cumulative width of a single, multiple, or attached combinations of dormers may equal up to fifty percent (50%) of the eave length of the roof below.

n. Cross Gable

- i. A cross GABLE is a sloped roof that projects perpendicularly from the MAIN ROOF of a BUILDING to significantly increase the HABITABLE space of a half-STORY.



Dimensions	
A Width (max)	50% of the eave length of the MAIN ROOF

- ii. Standards
 - a). The ridge and eave of the cross GABLE must be structurally integrated into the ridge and eave of the MAIN ROOF.
 - b). Cross GABLES never have cheek walls.

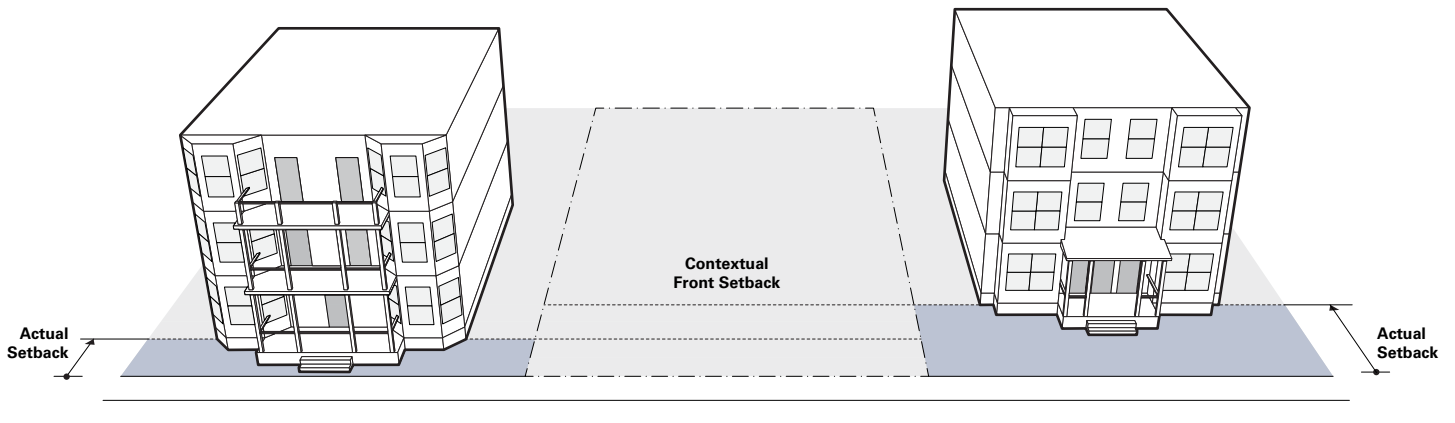
13. Building Design Standards

- a. Contextual Front SETBACKS
 - i. Notwithstanding the front SETBACKS identified for each BUILDING TYPE, new construction must have a contextual front SETBACK as follows:
 - a). If the subject LOT is an INTERIOR LOT OR KEY LOT, the minimum and maximum front SETBACKS are equal to the actual distances that PRINCIPAL STRUCTURES BUILDING are set back from the FRONT LOT LINE ON the TWO ABUTTING LOTS of the same BLOCK FACE. See Figure 3.2.13.
 - b). If the subject LOT is a CORNER LOT, the minimum front SETBACK is equal to the actual distance that the PRINCIPAL STRUCTURE BUILDING is set back from the FRONT LOT LINE ON the ABUTTING LOT that is oriented toward the same THOROUGHFARE.
 - c). If the LOT on either side of the subject LOT is vacant, the minimum and maximum front SETBACK identified for each BUILDING TYPE governs.
 - ii. The contextual front SETBACK provision does not exempt any BUILDING from complying with the maximum front SETBACK required for each BUILDING TYPE.

14. Architectural Design Guidelines

- a. Residential Privacy
 - i. GROUND STORY DWELLING UNITS should be elevated above the grade of any adjacent sidewalk so that the window sills of the DWELLING UNIT are at or above the eye-level of passing pedestrians. This elevation change maintains privacy for occupants while also encouraging open blinds or curtains to allow natural daylight into the unit.
 - ii. Dormer and sidewall window locations should break the direct line of sight between neighboring properties to every extent practicable. Translucent glass on the bottom half of windows or strategically placed landscape elements should be utilized if it is not practical to off-set windows in such a way as to minimize privacy impacts.
 - iii. Outdoor AMENITY SPACES that are elevated, such as roof DECKS, fully projecting balconies, and UPPER STORY rear porches should, provide sight-obscuring visual screening at the sides to increase privacy, security, and to limit views of ABUTTING properties from elevated vantage points.

Figure 3.2.13 Contextual Front Setback



3. RESIDENTIAL DISTRICTS

Urban Residence (UR)

15. Use Provisions

- a. General
 - i. The USE of real property is subject to the provisions of Article 9: USE Provisions of this Ordinance. Where the provisions of this section conflict with those of Article 9, the provisions of Article 9 apply.
 - ii. USE categories are permitted as specified on Table 3.2.15.
 - iii. USE categories not identified on Table 3.2.15 are prohibited.
 - iv. All USES must comply with any USE-specific standards applicable for each USE in §9.2 USE Definitions & Limitations.
 - v. USES permitted by Special Permit require additional DEVELOPMENT review in accordance with §15.2.1 Special Permits.
- b. Adaptive Re-Use of Specific Buildings
 - i. The USE of any PRINCIPAL STRUCTURE BUILDING constructed before the effective date of this Ordinance for a USE that is considered nonconforming in the Urban Residential district, as established by permit records or other historical documents accepted by the BUILDING OFFICIAL, or any BUILDING USED for municipal operations by the City of Somerville may be changed to any USE within the following PRINCIPAL USE categories in accordance with Table 3.2 (c):
 - a). ARTISINAL PRODUCTION;
 - b). Arts Sales & Services;
 - c). Design SERVICES;
 - d). Shared Workspace & Arts Education;
 - e). CONSUMER GOODS; or
 - f). Fresh Food Market or Grocery.

Table 3.2.15 Permitted Uses

Use Category Specific Use	UR
Arts & Creative Enterprise	
Artisinal Production	SP
Arts Sales & Service	SP
Design Services	SP
Shared Workspace & Arts Education	SP
Auto-Oriented	
Motor Vehicle Parking (as noted below)	--
Off-Site Accessory Parking	SP
Civic & Institutional	
Minor Utility Facility	SP
Public Service	P
Religious & Educational Uses Protected by M.G.L. 40A. Sec. 3	P
Commercial Services	
Day Care Service (as noted below)	--
Child Day Care Center	P
Vehicle Parking (except as follows)	N
Bike Share Parking	P
Car Share Parking (3 or fewer spaces)	P
Car Share Parking (4 or more spaces)	SP
Lodging	
Bed & Breakfast	SP
Residential	
Household Living	P
Group Living (except as follows)	SP
Community or Group Residence	P
Dormitory, Fraternity, or Sorority	SP
Homeless Shelter	N
Nursing Home/Assisted Living Facility	SP
Rooming House	SP

P - Permitted SP - Special Permit Required N - Not Permitted

Table 3.2.15 Permitted Uses (continued)

Use Category Specific Use	NR
Retail Sales	
Consumer Goods (except as follows)	P
Alcohol Sales	N
Firearms Sales	N
Pet Store	N
Fresh Food Market or Grocery Store	P
Urban Agriculture	
Farming (as noted below)	--
Commercial Farming	N
Community Farming	P
Community Gardening	P
Accessory Uses	
Home Occupations (as noted below)	--
Creative Studio	P
Home-Based Business	P
Home Office	P
Urban Agriculture (as noted below)	--
Apiculture	P
Aviculture	P
Commercial Farming	P
Residential Gardening	P
Vehicle Parking, Accessory (except as follows)	P
Home Business Vehicle Parking	SP

P - Permitted SP - Special Permit Required N - Not Permitted

16. Development Standards

- a. General
 - i. DEVELOPMENT is subject to the provisions of Article 10: DEVELOPMENT Standards of this Ordinance. Where the provisions of this section conflict with those of Article 10, the provisions of Article 10 apply.
- b. SIGNS
 - i. A SIGN, individual numerals or letters, or a nonelectrical nameplate identifying the property address is required for all real property as follows:
 - a). Each GROUND STORY non-residential USE must identify the STREET address either on the PRINCIPAL ENTRANCE door or above or beside the PRINCIPAL ENTRANCE of the USE.
 - b). All residential BUILDING TYPES must identify the STREET address either on the PRINCIPAL ENTRANCE door, above or beside the PRINCIPAL ENTRANCE, or on a mailbox.
 - ii. Address SIGNS must be made easily visible through the USE of colors or materials that contrast with the background material they are attached to and must be conspicuously located to provide visibility from the THOROUGHFARE that the BUILDING faces.
 - iii. Address SIGNS must be twelve (12) inches in height or less and may include the name of the occupant.

3. RESIDENTIAL DISTRICTS

Urban Residence (UR)

17. Parking & Mobility

- a. General
 - i. DEVELOPMENT is subject to the provisions of Article 11: Parking & Mobility of this Ordinance. Where the provisions of this section conflict with those of Article 11, the provisions of Article 11 apply.
 - ii. Vehicular parking must be provided as specified on Table 3.2.17, except as follows:
 - a). Non-residential USES with five thousand (5,000) square feet or less of GROSS LEASABLE FLOOR AREA are exempt from any minimum requirements of Table 3.2.17.
 - iii. There are no parking requirements for ACCESSORY USES.
 - iv. Parking may be shared between USES on the same LOT and buildings on the same BLOCK in accordance with §11.3 SHARED PARKING.
 - v. DEVELOPMENT outside of a TRANSIT AREA may count one (1) on STREET parking space for every twenty (20) feet of LOT WIDTH toward any minimum parking requirement if residential permit parking is permitted along the same side of the STREET as the LOT that the spaces will serve.
- b. Type
 - i. MOTOR VEHICLE PARKING may be provided as SURFACE PARKING spaces, above ground STRUCTURED PARKING, underground STRUCTURED PARKING, and on STREET parking spaces.
- c. Driveways
 - i. New driveways require a permit from the City Engineer in accordance with Chapter 11, Article II, Sec. 11-33 Driveway Construction of The Code of Ordinances, City of Somerville, Massachusetts.
 - ii. Driveways must be paved with paving stones, grass pavers, pervious concrete, or porous asphalt unless graded to direct runoff onto on-site permeable areas or granted a waiver by the City Engineer to mitigate adverse site conditions.
 - iii. Driveways are not permitted in the frontage area between a building and the front lot line.
 - iv. Driveways may be up to twelve (12) feet in width. See Figure 3.2.17.
 - v. Driveways may provide access in whole or in part on or across an abutting lot(s), provided that an ACCESS EASEMENT exists between all PROPERTY OWNERS.
 - vi. New driveways should accommodate at least two (2) motor vehicles for every one (1) ON-STREET PARKING SPACE that will be removed as a result of the new driveway.
- d. Parking Design
 - i. The design of all parking is subject to §11.1 Bicycle Parking and §11.2 MOTOR VEHICLE PARKING of this Ordinance.
- e. Parking Location
 - i. Required vehicular parking, excluding any required handicapped parking, may be provided on a

Table 3.2.17 Vehicular Parking

Use Category Specific Use	BICYCLE		MOTOR VEHICLE	
	Short-Term (min)	Long-Term (min)	Within a TRANSIT AREA ¹ (max)	Outside of a TRANSIT AREA ¹ (min)
Arts & Creative Enterprise Uses				
All Permitted Uses	1.0 / 10,000 sf	1.0 / 3,000 sf	none	1.0 / 1,000 sf
Civic & Institutional				
Religious & Educational Uses Protected by M.G.L. 40A. Sec. 3	none	none	none	none
Lodging Uses				
Bed & Breakfast	none	2.0	none	1.0 / 4 rooms
Residential Uses				
All Permitted Uses	none	none	none	1.0 / DU
Retail Sales Uses				
All Permitted Uses	1.0 / 2,500 sf	1.0 / 10,000 sf	none	1.0 / 1,500 sf

sf - Gross Leasable Square Footage

DU - Dwelling Unit RU - Rooming Unit

¹ See the Transit Area Map

- contiguous LOT under the same ownership as the LOT that the parking will serve as follows:
- a). Pedestrian ACCESS to off-SITE vehicular parking must be via a paved sidewalk or walkway.
 - b). A lease, recorded covenant, or other comparable legal instrument guaranteeing long term USE of the SITE must be provided to the review board or BUILDING OFFICIAL and executed and filed with the Registry of Deeds.
- ii. For real property located in more than one municipality, MOTOR VEHICLE PARKING need not be located within the City of Somerville.
- f. Unbundled Parking
 - i. MOTOR VEHICLE PARKING spaces must be rented or leased as an option rather than a requirement of the rental, lease, or purchase of a DWELLING UNIT or non-residential floor space.
 - ii. Bicycle parking must be provided at no cost or fee to customers, visitors, employees, tenants, and residents.
- g. Parking Relief
 - i. Relief from the parking standards of Table 3.2.17 requires a Special Permit.
 - a). In addition to the review criteria for all Special Permits specified in §15.2.1.e. Review Criteria, the review board shall make findings considering the following in its discretion to approve or deny a special permit authorizing relief from the parking standards of Table 3.2.17:
 - i). The supply and demand of on-STREET parking in the neighborhood, as determined through a parking study.
 - ii). MOBILITY MANAGEMENT programs and services provided by the APPLICANT to reduce the demand for parking.
 - iii). That parking provided in excess of any maximum permitted does not result in the increase in impervious LOT AREA.

Figure 3.2.17 Driveway Dimensions

3. RESIDENTIAL DISTRICTS

Urban Residence (UR)

18. Public Realm

a. Sidewalk CURB CUTS

- i. A CURB CUT requires a permit from the City Engineer and must be compliant with all City Ordinances.
- ii. Unless otherwise specified, the City Engineer may not permit more than one (1) CURB CUT per FRONT LOT LINE of a LOT.
- iii. CURB CUTS are prohibited along all THOROUGHFARES designated as a PEDESTRIAN STREET.
- iv. CURB CUTS must be located to minimize conflicts with pedestrians and bicyclists and must have a clear distance from fire hydrants, STREET TREES, utility poles, and other furnishings as deemed necessary by the City Engineer.
 - a). CURB CUTS for commercial or high-volume driveways should be at least one-hundred (100) feet from an UNSIGNALIZED or SIGNALIZED intersection.
 - b). CURB CUTS for residential driveways should be at least twenty (20) feet from an UNSIGNALIZED intersection and at least forty (40) feet from a SIGNALIZED intersection.
- v. The interior width of a CURB CUT (between curb stones) may be no wider than the driveway, vehicular entrance, or loading facility it serves.
- vi. A DRIVEWAY APRON may be installed only within the furnishing zone of a sidewalk and must be constructed in accordance with all standards established by relevant City Departments.
- vii. The grade, cross slope, and clear width of the walkway of a sidewalk must be maintained between the DRIVEWAY APRON and the ABUTTING driveway. The appearance of the walkway (ie. scoring pattern or paving material) must indicate that, although a vehicle may cross, the area traversed by a vehicle remains part of the sidewalk.

Figure 3.2.19 Sidewalk Curb Cuts

